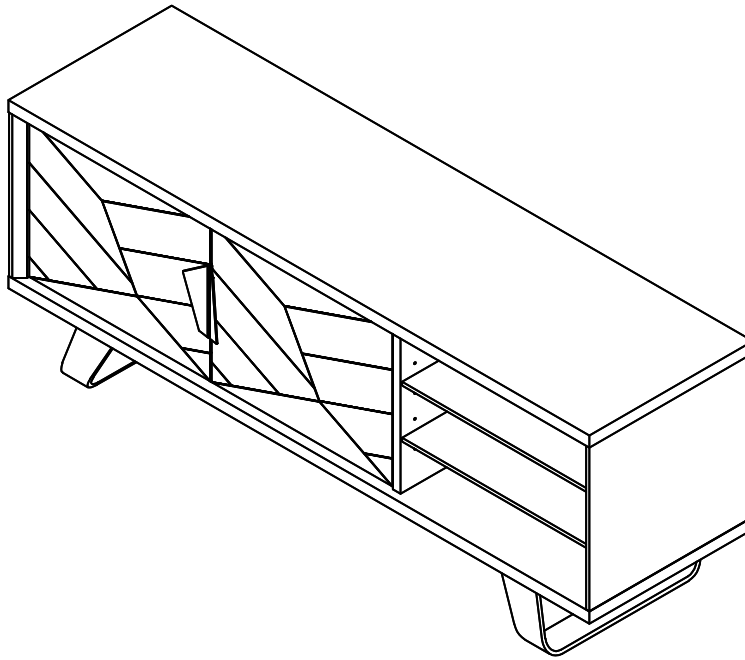


# ENTERTAINMENT UNIT

Stock number: 280X-25

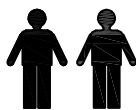
Thank you for purchasing this product. Please read the instructions carefully before use to ensure safe and satisfactory operation of this product.



## Pre-assembly preparation

Please ensure instructions are read in full before attempting to assemble this product.

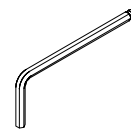
**Necessary Tools :** Phillips screwdriver



Ph 2



(Included )



Please check the pack contents before attempting to assemble this product. A full checklist of components is given in this leaflet. If any components are missing, please contact the retailer from whom you bought this product.

This product takes approximately **20 MINUTES** to assemble with **2 PEOPLE**.

All assembly should be performed on a flat, stable, clean and soft surface.

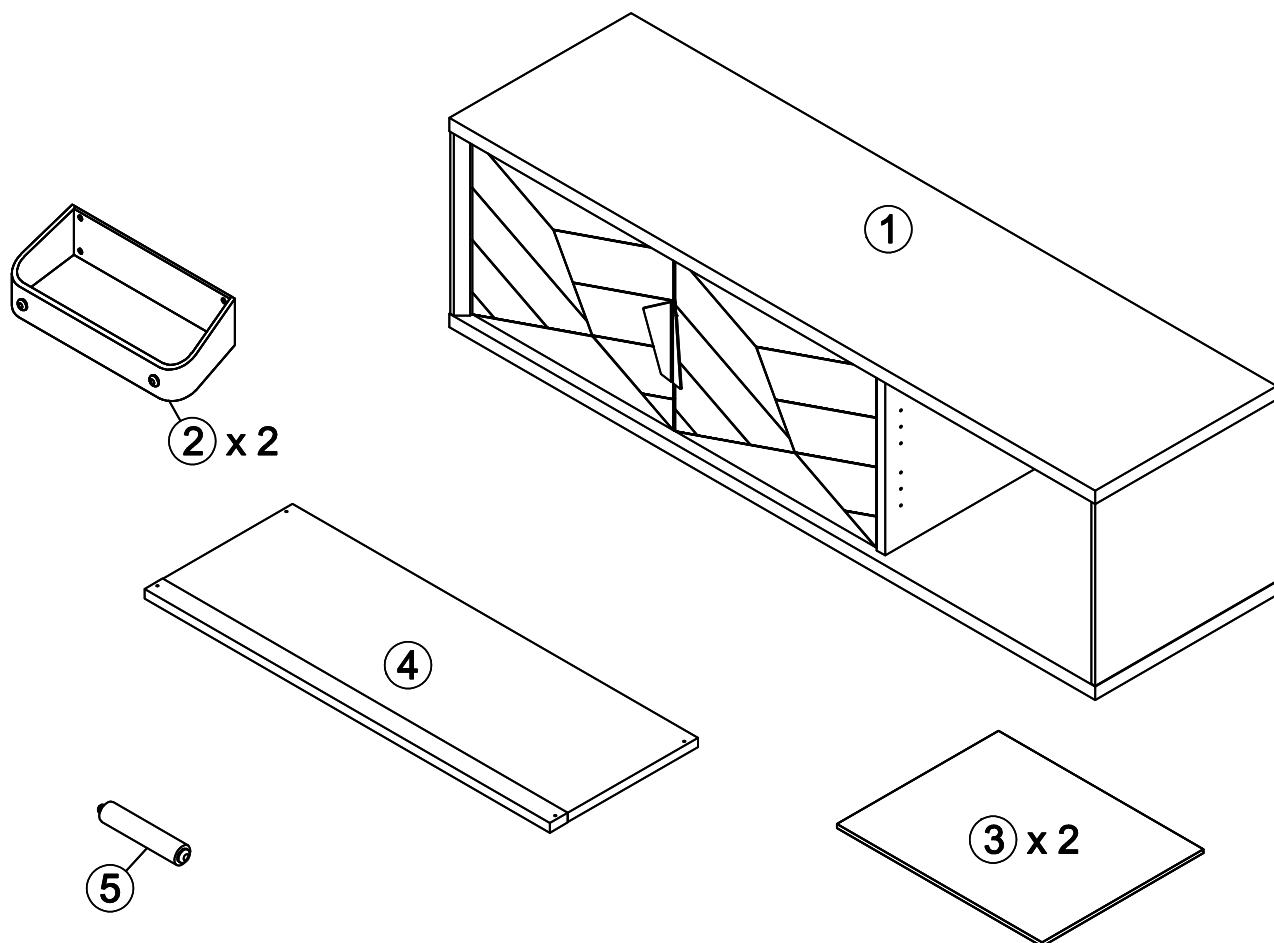
This product is **HEAVY**, it should be assembled as near as possible to the point of use. **TAKE CARE WHEN LIFTING** to avoid personal injury and (or) damage to the product.

The fitting pack contains **SMALL ITEMS** which should be **KEPT AWAY FROM YOUNG CHILDREN**.

**IMPORTANT:** Retain these instructions for future reference.

Page : 1

IW-17-280X-25-2-R2



## Fittings and parts checklist

Item	Description	Qty.	Item	Description	Qty.
1	Top unit	x 1	4	Shelf Frame	x 1
2	Metal Leg	x 2	5	Center leg	x 1
3	Glass shelf	x 2			
A	Hex head bolt M8x20mm	x 8	D	Flat head screw Ø4x15mm	x 5
B	Wood shelf support	x 4	E	Allen key M4x30x110mm	x 1
C	Mounting plate leg M8x18(5)xØ63x2.2mm	x 1	F	Glass shelf support	x 8

# Step by step assembly instructions

## Step 1

- 1.1 : Lay all parts on a flat, stable, clean and soft surface.
- 1.2 : Attach 2x metal legs (2) onto top unit (1) as shown. Ensure the pre-drilled holes on metal legs (2) are aligned correctly to the holes on top unit (1) before attaching.
- 1.3 : Secure metal legs (2) onto top unit (1) using 8x hex head bolts (A) as shown. Use an allen key (E) to turn fittings (A) clockwise to fix.
- 1.4 : Attached 1x mounting plate leg (C) into top unit (1) by screwing 5x flat head screws (D) as shown. Use a phillips screwdriver to turn fittings (D) clockwise to fix.
- 1.5 : Screw each center leg (5) into the mounting plate on top unit (1) as shown. Continue to re-tighten until it is securely fastened.
- 1.6 : With help of assistant, carefully turn the unit upright.

Fitting



A x 8



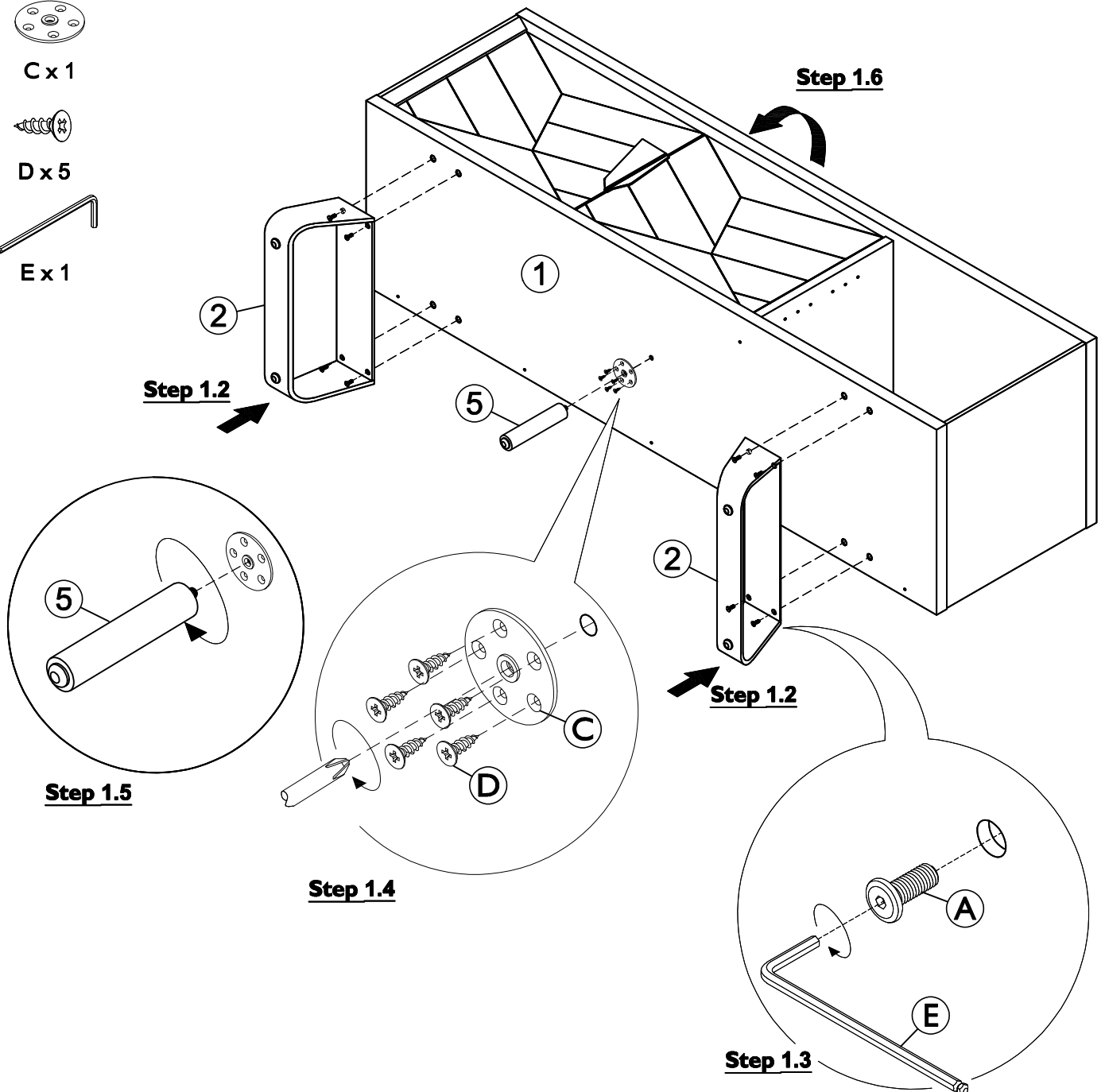
C x 1



D x 5



E x 1



# Step by step assembly instructions

- Step 2**
- 2.1 : Tilt shelf frame (4) to a suitable angle as shown in the picture so as to slide it in.
  - 2.2 : Insert 4x wood shelf supports (B) into the pre-drilled holes inside the top unit (1) as shown.
  - 2.3 : Slide shelf frame (4) into the unit. Ensure the holes on shelf frame (4) are facing down then place them onto the pins of wood shelf supports (B) as shown.
  - 2.4 : Insert 8x glass shelf supports (F) into the predrilled holes inside the top unit (1) as shown.
  - 2.5 : Carefully slide glass shelf (3) into the unit and lower onto fittings (F).

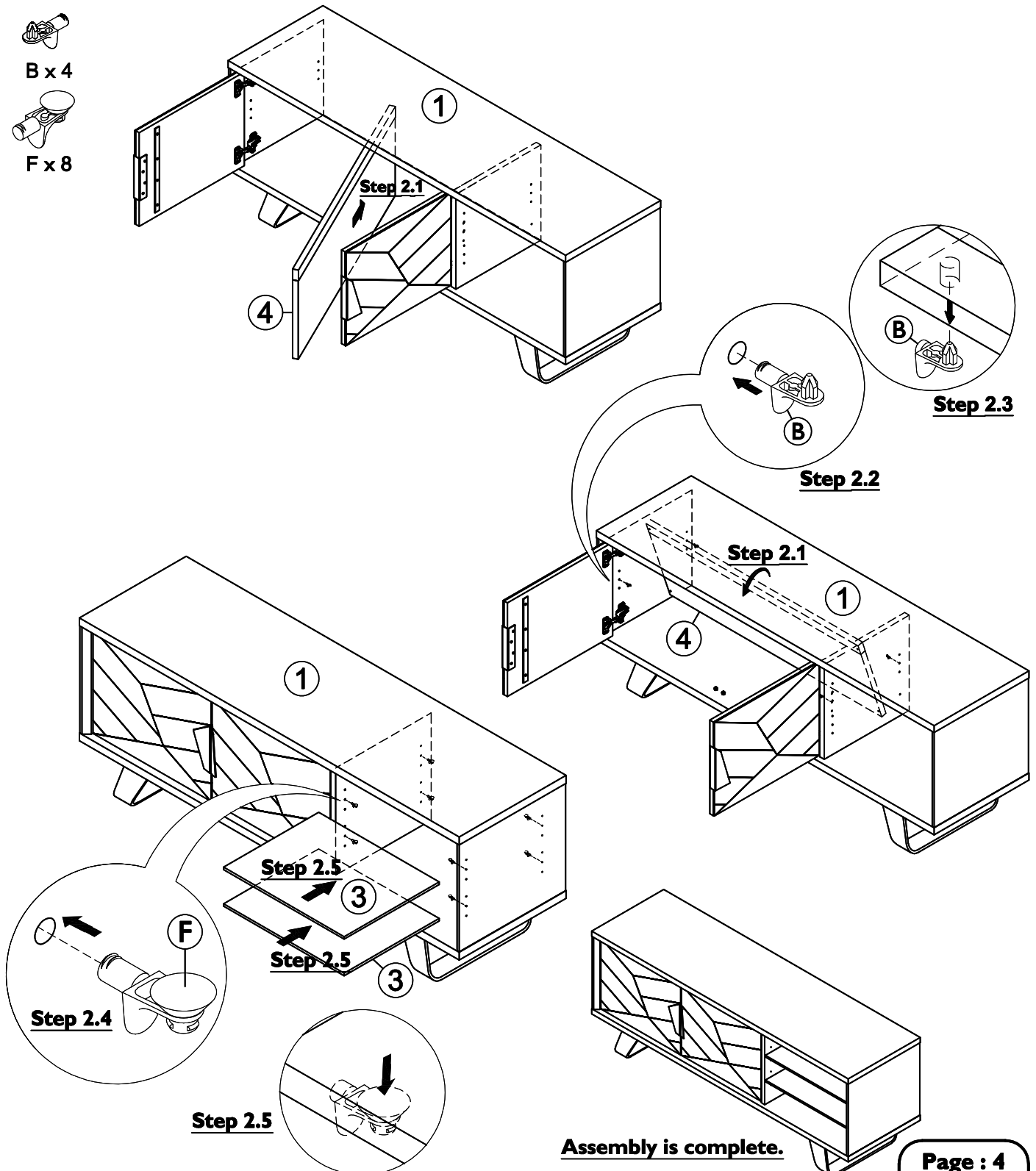
Fitting



B x 4



F x 8



Page : 4

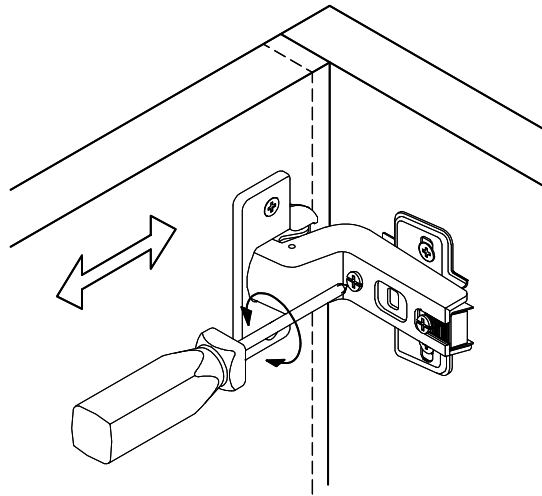
---

# HINGE ADJUSTMENT INSTRUCTIONS

---

## LATERAL ADJUSTMENT

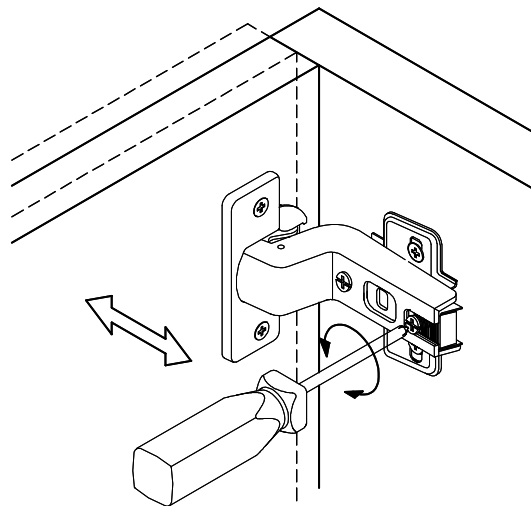
by screw adjustment.



---

## FRONT-TO-BACK

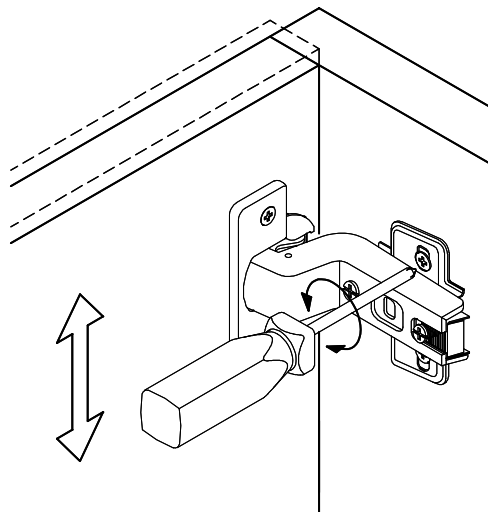
by slackening and retightening the hinge-arm mounting screw.



---

## VERTICAL ADJUSTMENT

via slots on mounting plate by slackening and retightening the screws on mounting plate



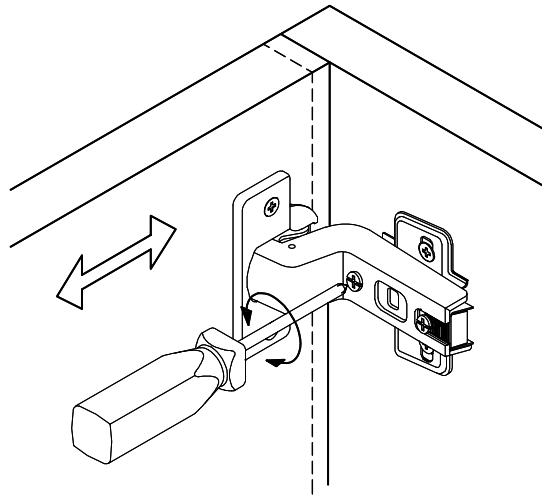
---

# HINGE ADJUSTMENT INSTRUCTIONS

---

## LATERAL ADJUSTMENT

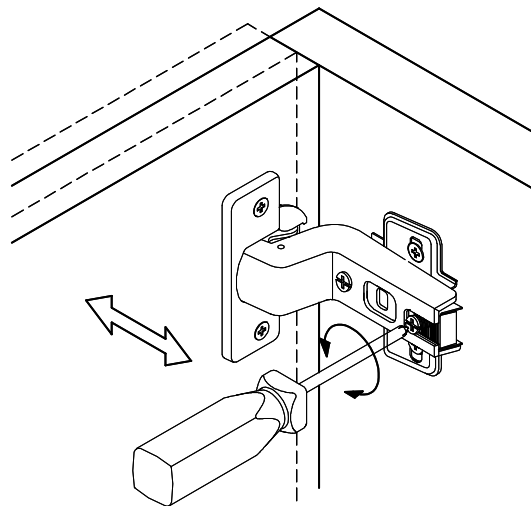
by screw adjustment.



---

## FRONT-TO-BACK

by slackening and retightening the hinge-arm mounting screw.



---

## VERTICAL ADJUSTMENT

via slots on mounting plate by slackening and retightening the screws on mounting plate

