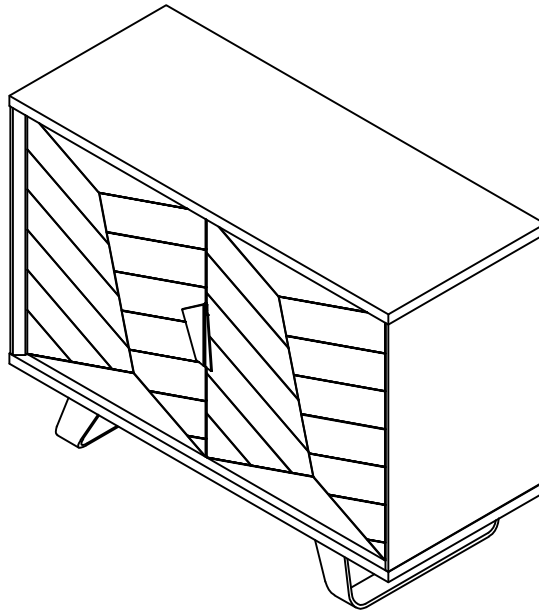


NARROW SIDEBOARD

Stock number: 280X-10

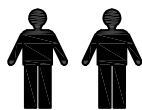
Thank you for purchasing this product. Please read the instructions carefully before use to ensure safe and satisfactory operation of this product.



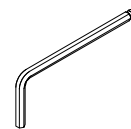
Pre-assembly preparation

Please ensure instructions are read in full before attempting to assemble this product.

Necessary Tools :



(Included)



Please check the pack contents before attempting to assemble this product. A full checklist of components is given in this leaflet. If any components are missing, please contact the retailer from whom you bought this product.

This product takes approximately **20 MINUTES** to assemble with **2 PEOPLE**.

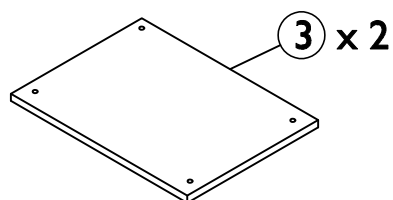
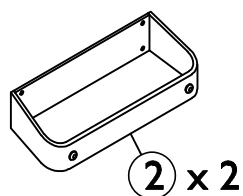
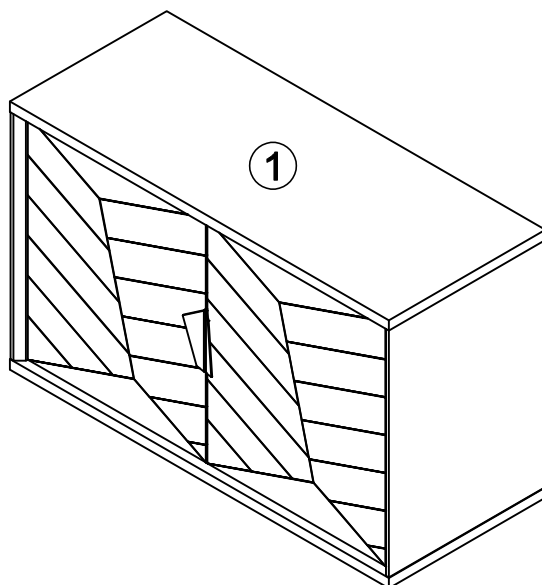
All assembly should be performed on a flat, stable, clean and soft surface.

This product is **HEAVY**, it should be assembled as near as possible to the point of use. **TAKE CARE WHEN LIFTING** to avoid personal injury and (or) damage to the product.

The fitting pack contains **SMALL ITEMS** which should be **KEPT AWAY FROM YOUNG CHILDREN**.

IMPORTANT: Retain these instructions for future reference.

Page : 1



Fittings and parts checklist

Item	Description	Qty.	Item	Description	Qty.
1	Top unit	x 1	3	Adjustable shelf	x 2
2	Metal leg	x 2			
A	Hex head bolt M8x20mm	x 8	C	Allen key M4x30x110mm	x 1
B	Wood shelf support	x 8			

Step by step assembly instructions

- Step 1**
- 1.1 : Lay all parts on a flat, stable, clean and soft surface.
 - 1.2 : Attach 2x metal legs (2) onto top unit (1) as shown. Ensure the pre-drilled holes on metal legs (2) are aligned correctly to the holes on top unit (1) before attaching.
 - 1.3 : Secure metal legs (2) onto top unit (1) using 8x hex head bolts (A) as shown. Use an allen key (C) to turn fittings (A) clockwise to fix.
 - 1.4 : Stand the unit upright.

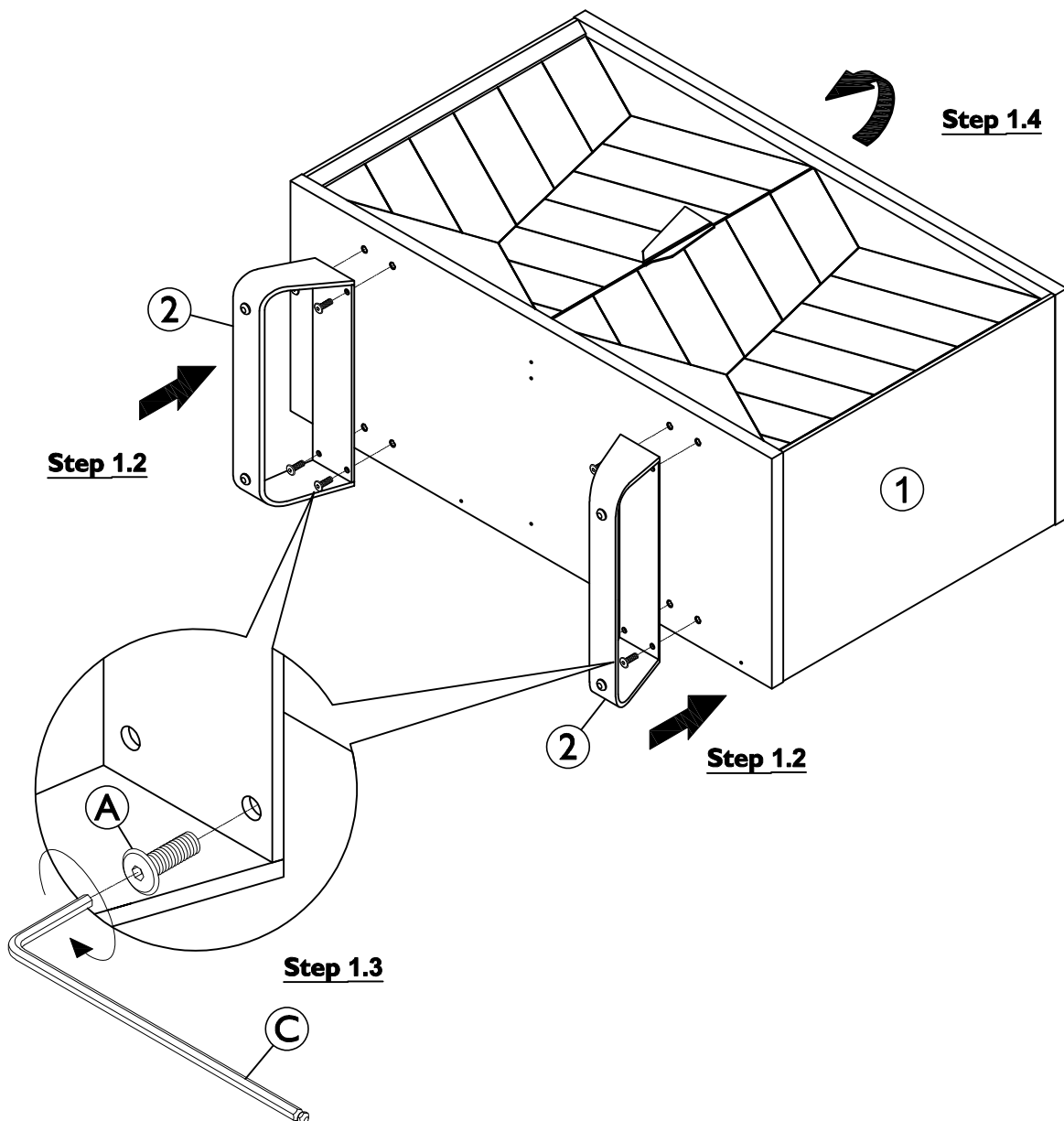
Fitting



A x 8



C x 1



Step By Step Assembly Instructions

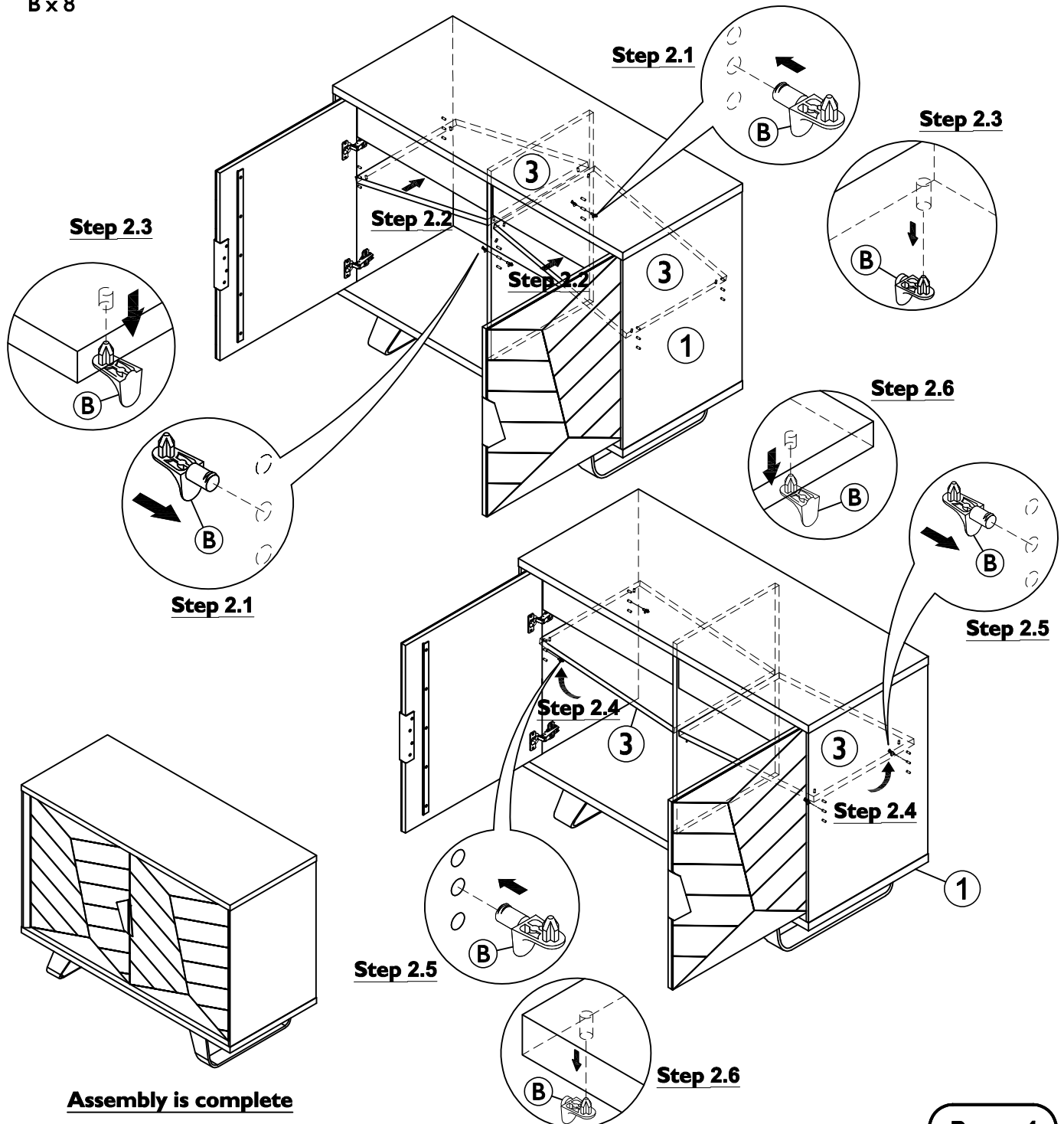
Step 2

- 2.1 : Insert 4x wood shelf supports (B) into the pre-drilled holes in left, right partition of the unit (1) as shown.
- 2.2 : Tilt adjustable shelves (3) to a suitable angle in the picture so as to slide them in.
- 2.3 : Slide adjustable shelves (3) into the unit. Ensure the holes on adjustable shelves are facing down, then lower the right, left partition of adjustable shelves (3) onto the pins of wood shelf supports (B) as shown.
- 2.4 : Lift up left, right side of adjustable shelves (3) as shown.
- 2.5 : Insert 4x wood shelf supports (B) into the pre-drilled holes in left, right side panel of the unit (1) as shown.
- 2.6 : Lower adjustable shelves (3) onto the pins of wood shelf supports (B) as shown.

Fitting



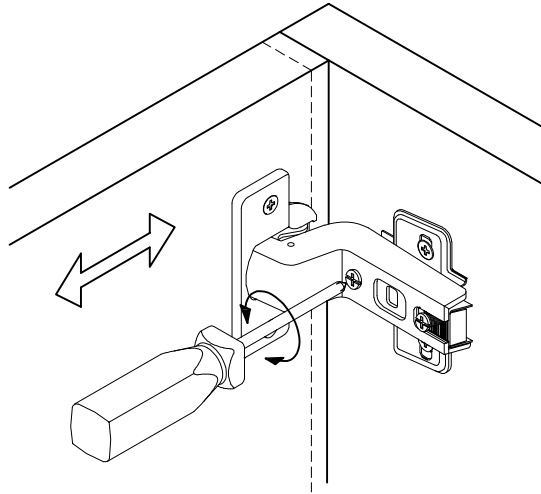
B x 8



HINGE ADJUSTMENT INSTRUCTIONS

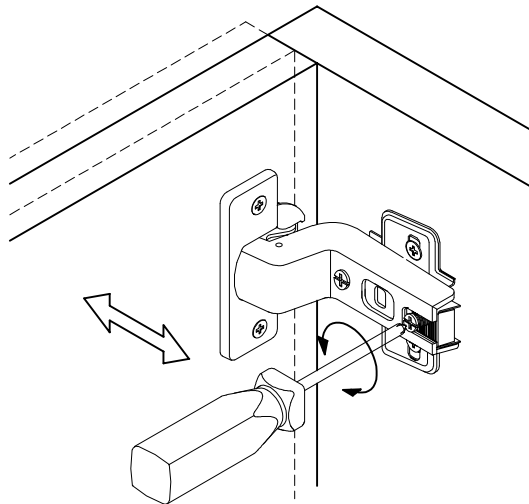
LATERAL ADJUSTMENT

by screw adjustment.



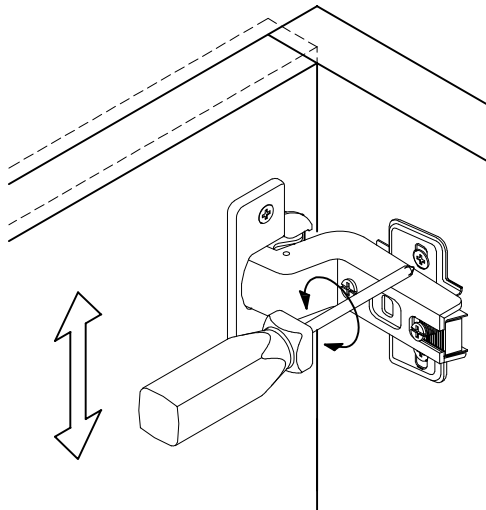
FRONT-TO-BACK

by slackening and retightening the hinge-arm mounting screw.



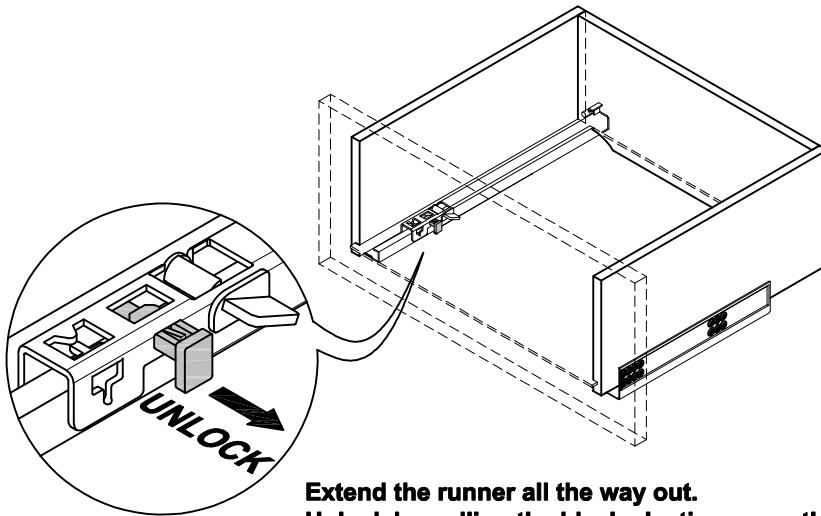
VERTICAL ADJUSTMENT

via slots on mounting plate by slackening and retightening the screws on mounting plate

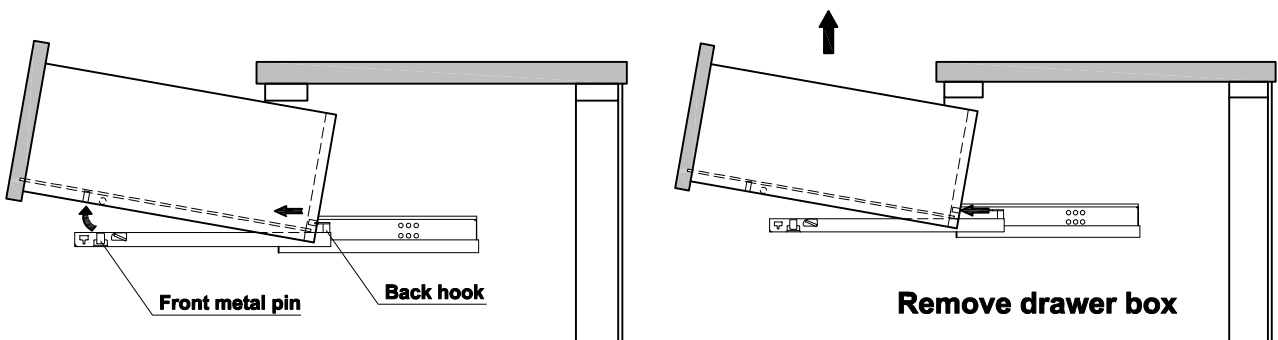


TANDEM RUNNER ADJUSTMENT INSTRUCTION

REMOVE

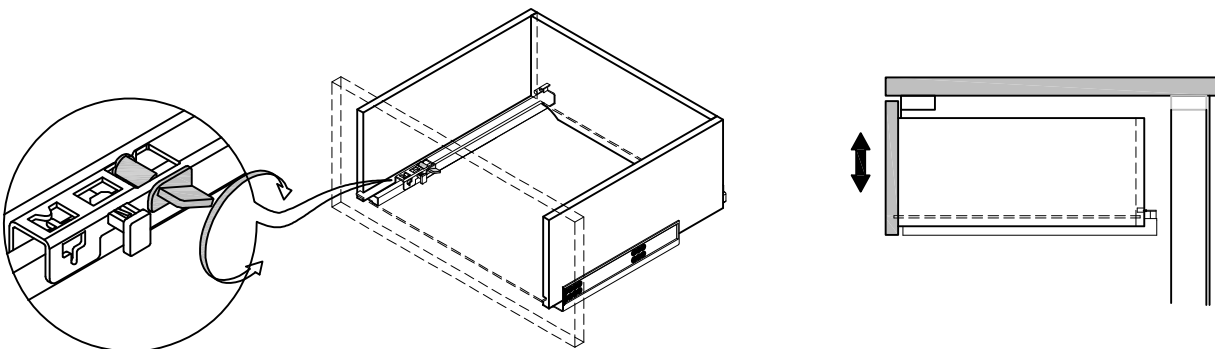


Extend the runner all the way out.
Unlock by pulling the black plastic peg on the runner out.



Hold runners with both of your hands.
Carefully lift the drawer front up from the front metal pin, then slide forward to remove from back hooks.

VERTICAL ADJUSTMENT (± 2.5 mm)



TANDEM RUNNER ADJUSTMENT INSTRUCTION

ASSEMBLE

