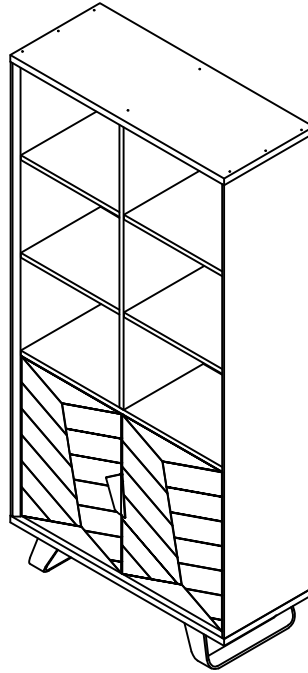


DISPLAY UNIT

Stock number: 280X-22

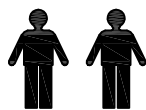
Thank you for purchasing this product. Please read the instructions carefully before use to ensure safe and satisfactory operation of this product.



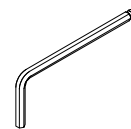
Pre-assembly preparation

Please ensure instructions are read in full before attempting to assemble this product.

Necessary Tools :



(Included)



Please check the pack contents before attempting to assemble this product. A full checklist of components is given in this leaflet. If any components are missing, please contact the retailer from whom you bought this product.

This product takes approximately **15 MINUTES** to assemble with **2 PEOPLE**.

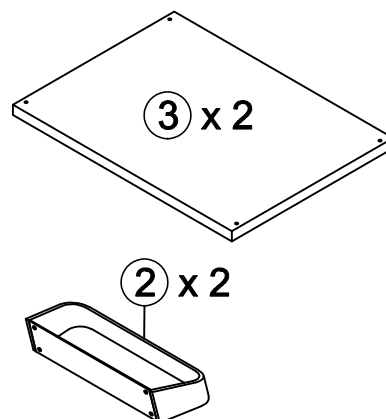
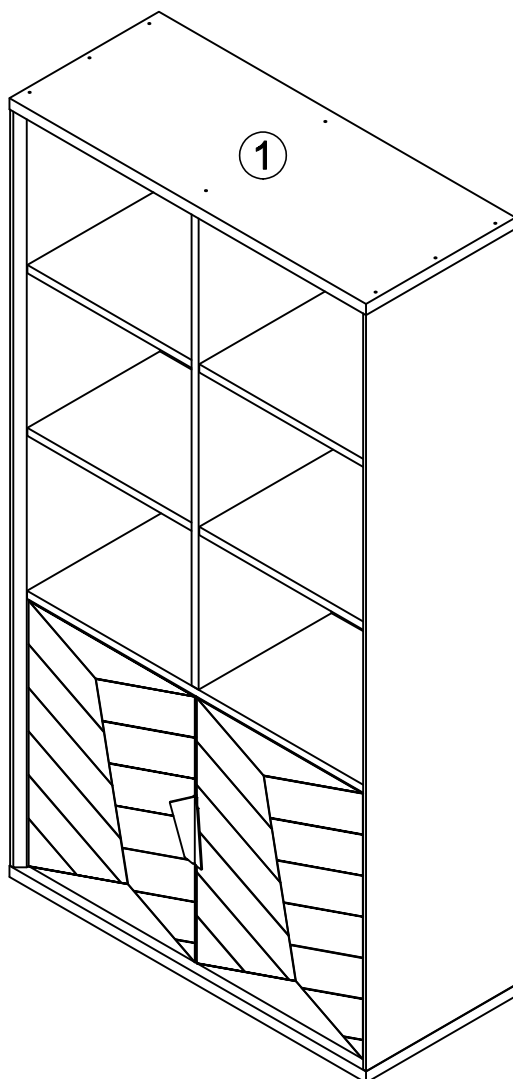
All assembly should be performed on a flat, stable, clean and soft surface.

This product is **HEAVY**, it should be assembled as near as possible to the point of use. **TAKE CARE WHEN LIFTING** to avoid personal injury and (or) damage to the product.

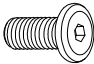

The fitting pack contains **SMALL ITEMS** which should be **KEPT AWAY FROM YOUNG CHILDREN**.

IMPORTANT: Retain these instructions for future reference.

Page : 1



Fittings and parts checklist

Item	Description	Qty.		Item	Description	Qty.
1	Top unit	x 1		3	Adj shelf	x 2
2	Metal leg	x 2				
A	Hex head bolt M8x20mm	x 8		B	Wood shelf support	x 8
C	Allen key M4x30x110mm	x 1				

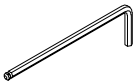
Step by step assembly instructions

- Step 1**
- 1.1 : Lay the unit on a flat, stable, clean and soft surface.
 - 1.2 : Attach 2x legs (2) onto the unit (1) as shown. Ensure the pre-drilled holes on metal legs (2) are aligned correctly with the holes on the unit (1) before attaching.
 - 1.3 : Secure parts (2) to part (1) using 8x hex head bolts (A) as shown. Use an allen key (C) to turn fittings (A) clockwise to fix.
 - 1.4 : With help of assistant, carefully turn the unit upright.

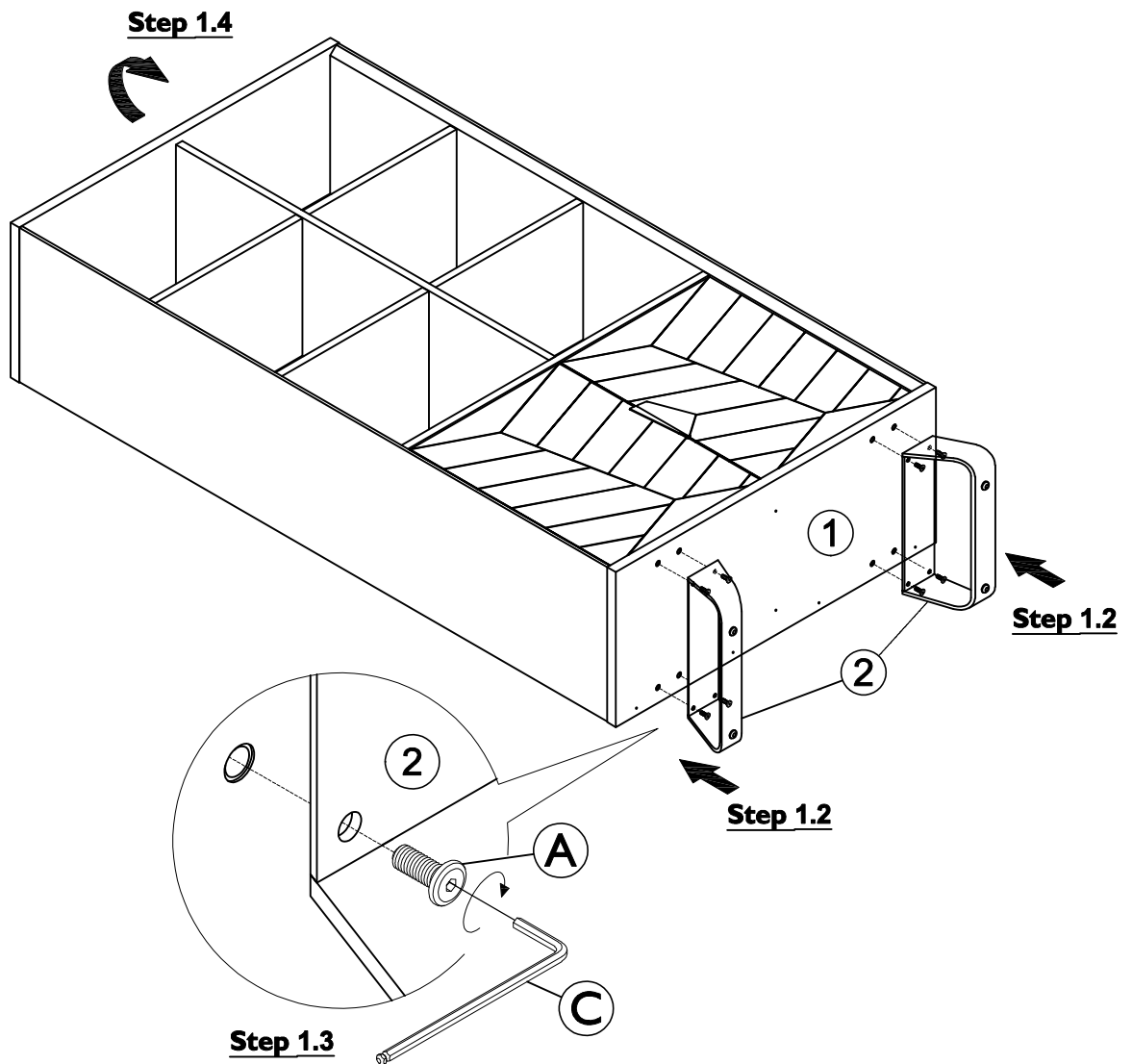
Fitting



A x 8



C x 1



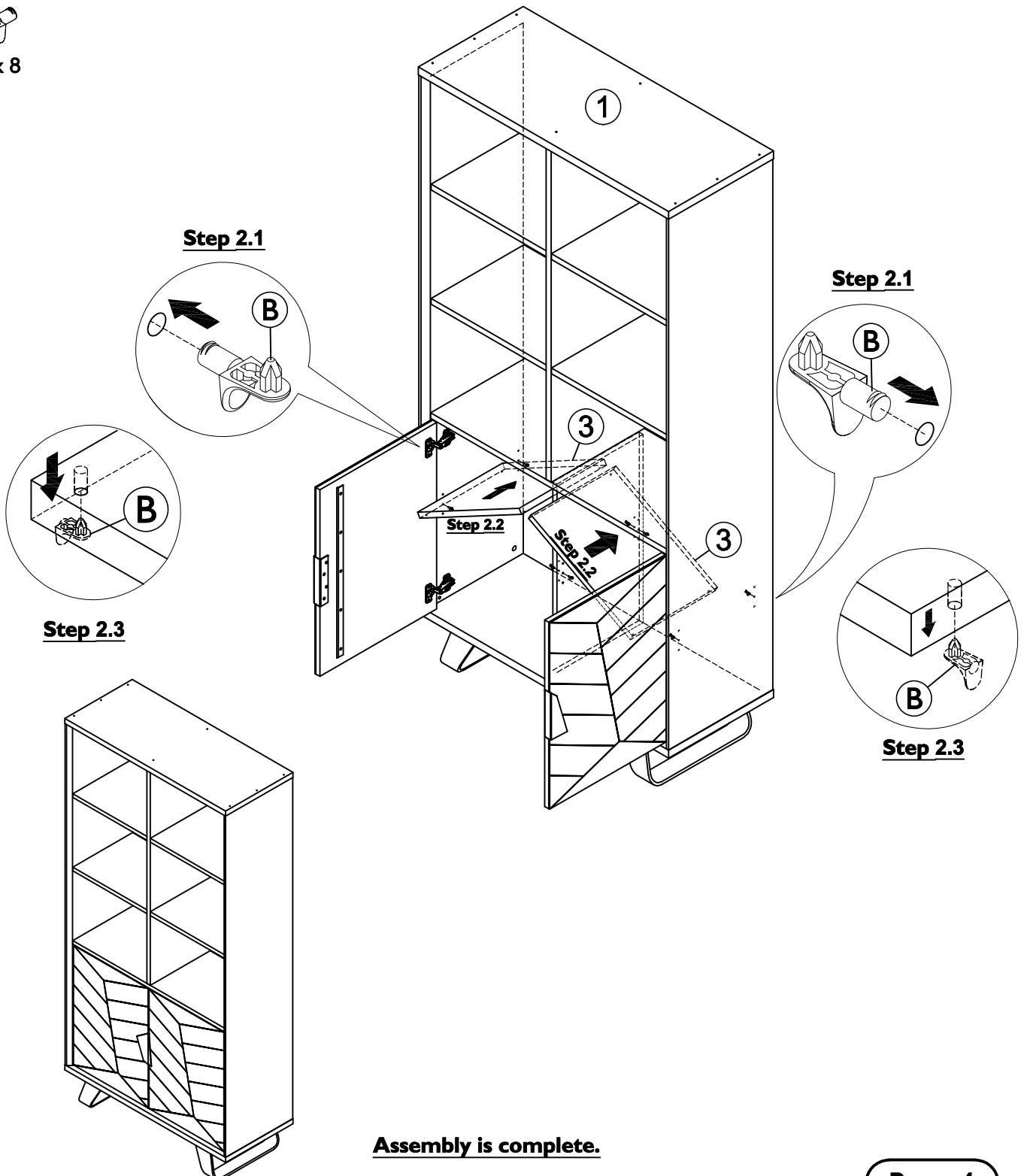
Step by step assembly instructions

- Step 2**
- 2.1 : Insert 8x wood shelf supports (B) into the pre-drilled holes inside of the unit as show.
 - 2.2 : Tilt adjustable shelves (3) to a suitable angle as shown in the picture so as to slide it in.
 - 2.3 : Slide adjustable shelves (3) into the unit. Ensure the holes on adjustable shelves (3) are facing down, then place it onto the pins of wood shelf support (B) as shown.

Fitting



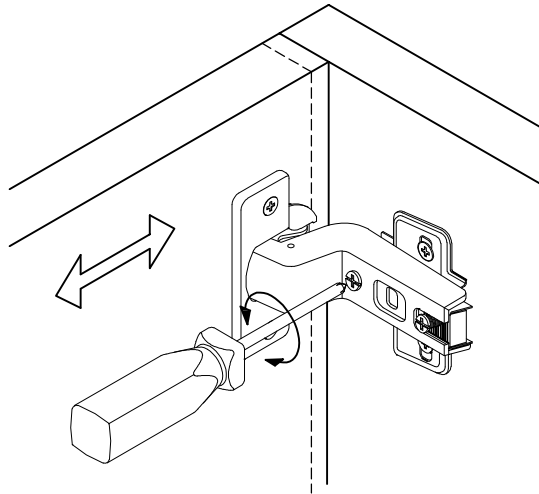
B x 8



HINGE ADJUSTMENT INSTRUCTIONS

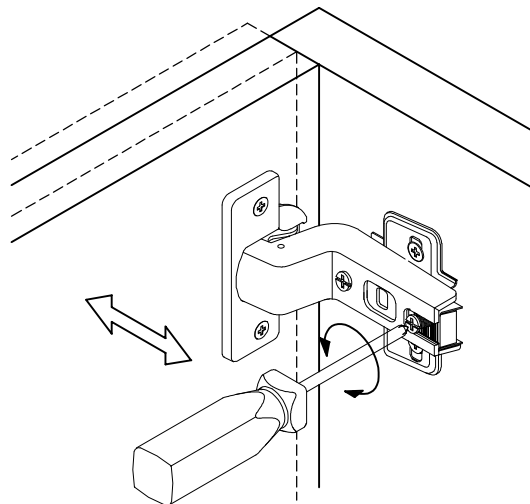
LATERAL ADJUSTMENT

by screw adjustment.



FRONT-TO-BACK

by slackening and retightening
the hinge-arm mounting screw.



VERTICAL ADJUSTMENT

via slots on mounting
plate by slackening and
retightening the screws
on mounting plate

