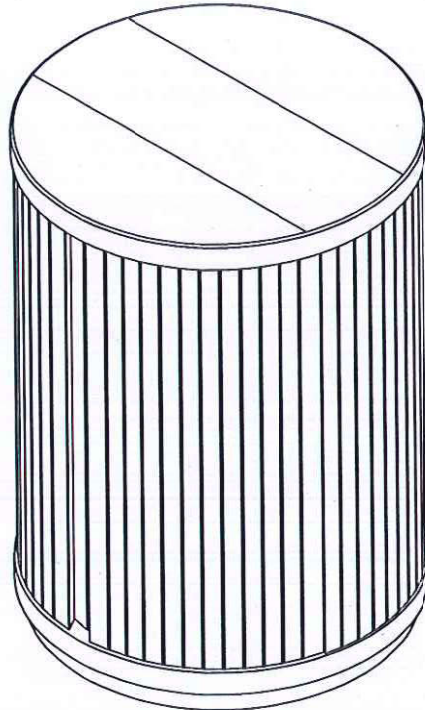


ROUND LAMP TABLE

Stock number: 304X-04

Thank you for purchasing this product. Please read the instructions carefully before use to ensure safe and satisfactory operation of this product.



Pre-assembly preparation

Please ensure instructions are read in full before attempting to assemble this product.

Necessary Tools : Phillips screwdriver



Ph 2



Please check the pack contents before attempting to assemble this product. A full checklist of components is given in this leaflet. If any components are missing, please contact the retailer from whom you bought this product.

This product takes approximately **15 MINUTES** to assemble with **1 PERSON**.

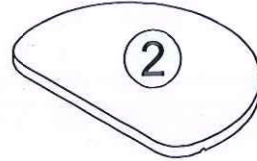
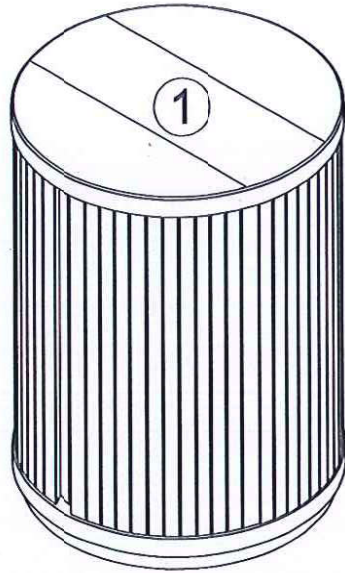
All assembly should be performed on a flat, stable, clean and soft surface.

This product is **HEAVY**, it should be assembled as near as possible to the point of use. **TAKE CARE WHEN LIFTING** to avoid personal injury and (or) damage to the product.


The fitting pack contains **SMALL ITEMS** which should be **KEPT AWAY FROM YOUNG CHILDREN**.

IMPORTANT: Retain these instructions for future reference.

Page : 1



Fittings and parts checklist

Item	Description	Qty.	Item	Description	Qty.
1	Cabinet	x 1	2	Adjustable shelf	x 1
A	Shelf pin 	x 4			

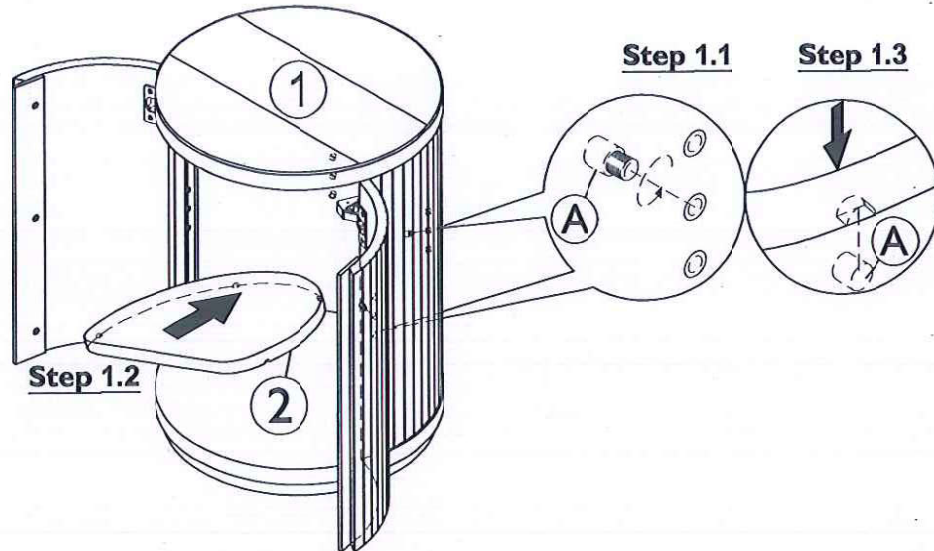
Step By Step Assembly Instructions

- Step 1**
- 1.1 : Screw 2x shelf pins (A) into the inset fittings in right side panel of the cabinet (1) as shown.
 - 1.2 : Tilt adjustable shelf (2) to a suitable angle as shown in the picture so as to slide them in.
 - 1.3 : Slide adjustable shelf (2) into the cabinet. Ensure the notches on adjustable shelf (2) is facing down, then lower the right side of adjustable shelf (2) onto the pins of shelf pins (A) as shown.

Fitting



A x 2

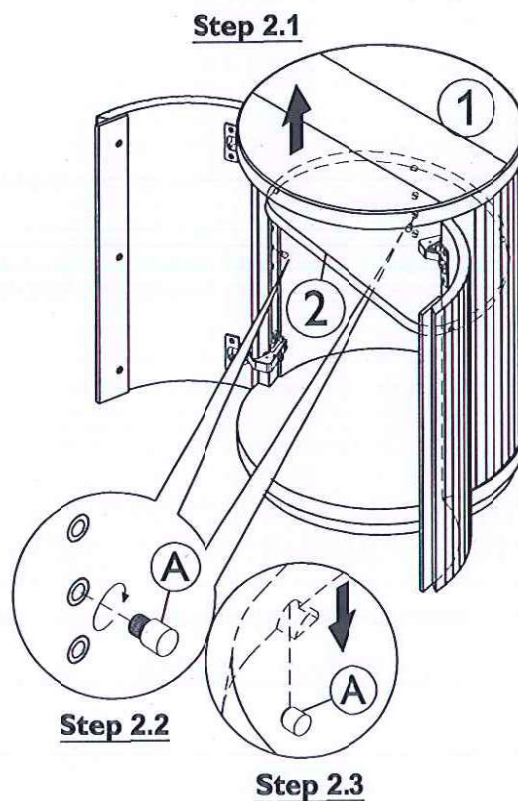


- Step 2**
- 2.1 : Lift up left side of adjustable shelf (2).
 - 2.2 : Screw 2x shelf pins (A) into the inset fittings in left side panel of the unit as shown.
 - 2.3 : Lower adjustable shelf (2) onto the pins of shelf pins (A) as shown.

Fitting

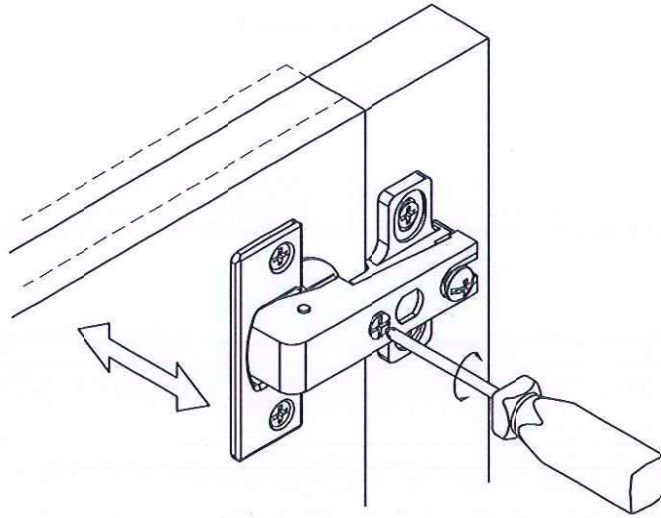


A x 2



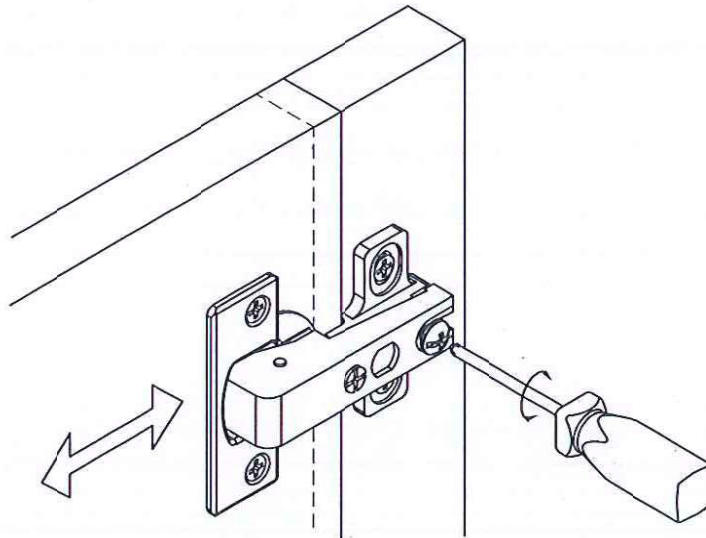
HINGE ADJUSTMENT INSTRUCTIONS

by screw adjustment.



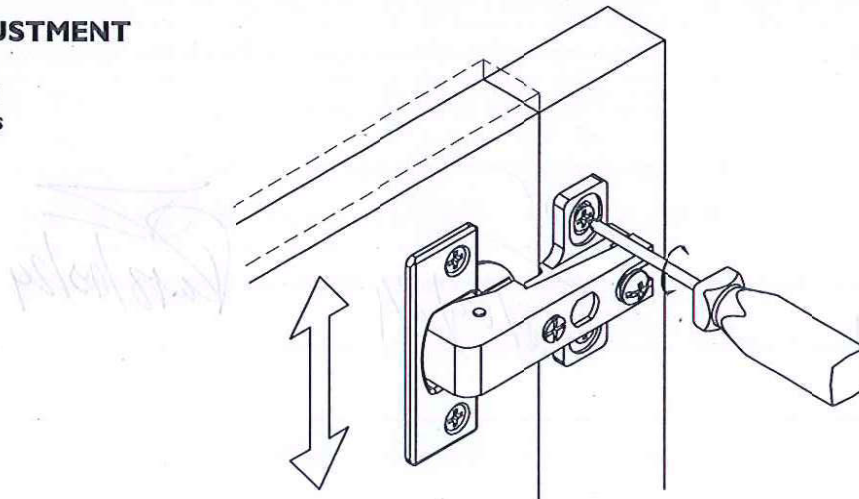
FRONT-TO-BACK

by slackening and retightening
the hinge-arm mounting screw.



VERTICAL ADJUSTMENT

via slots on mounting
plate by slackening and
retightening the screws
on mounting plate





Smiley
18.09.24


18/09/24


18/09/24