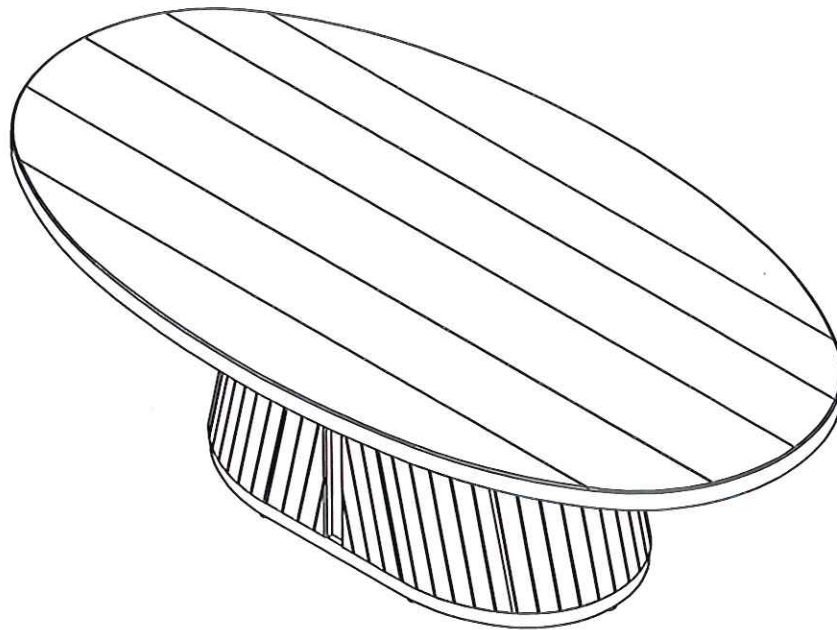


# OVAL COFFEE TABLE

Stock number: 304X-06

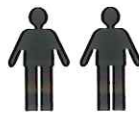
Thank you for purchasing this product. Please read the instructions carefully before use to ensure safe and satisfactory operation of this product.



## Pre-assembly preparation

Please ensure instructions are read in full before attempting to assemble this product.

## Necessary Tools :



( Included )



Please check the pack contents before attempting to assemble this product. A full checklist of components is given in this leaflet. If any components are missing, please contact the retailer from whom you bought this product.

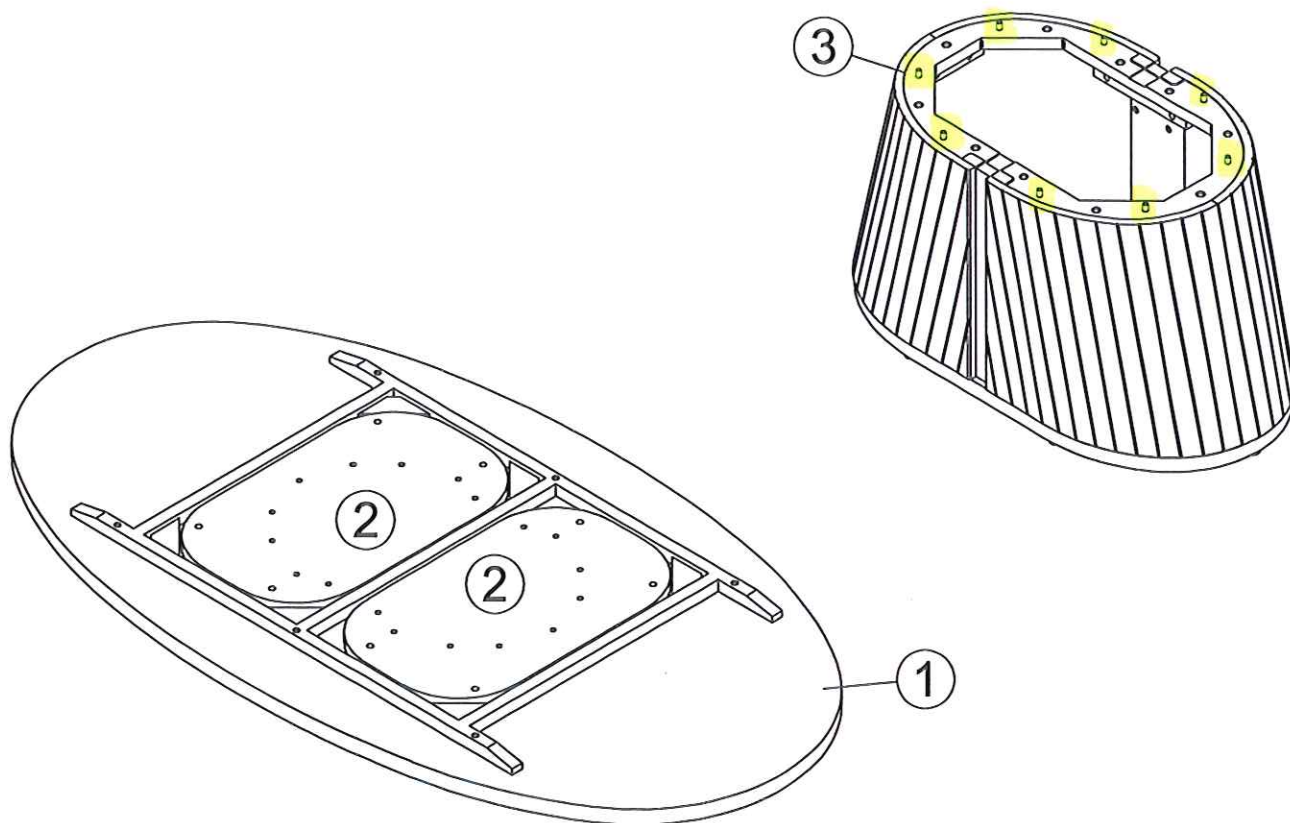
This product takes approximately **20 MINUTES** to assemble with **2 PERSON**.

All assembly should be performed on a flat, stable, clean and soft surface.

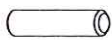


This product is **HEAVY**, it should be assembled as near as possible to the point of use. **TAKE CARE WHEN LIFTING** to avoid personal injury and (or) damage to the product.

The fitting pack contains **SMALL ITEMS** which should be **KEPT AWAY FROM YOUNG CHILDREN**.

**IMPORTANT:** Retain these instructions for future reference.



## Fittings and parts checklist

| Item | Description              | Qty.   | Item | Description              | Qty.  |
|------|--------------------------|--|------|--------------------------|---|
| 1    | Table top                | x 1  | 3    | Leg frame                | x 1   |
| 2    | Support top panel        | x 2  |      |                          |   |
| A    | Wooden dowel<br>Ø8x30mm  |  x 2  | C    | Allen key<br>M4x30x110mm |  x 1 |
| B    | Hex head bolt<br>M6x30mm |  x 10 |      |                          |   |

# Step By Step Assembly Instructions

## Step 1

1.1 : Lay all parts on a flat, stable, clean and soft surface.

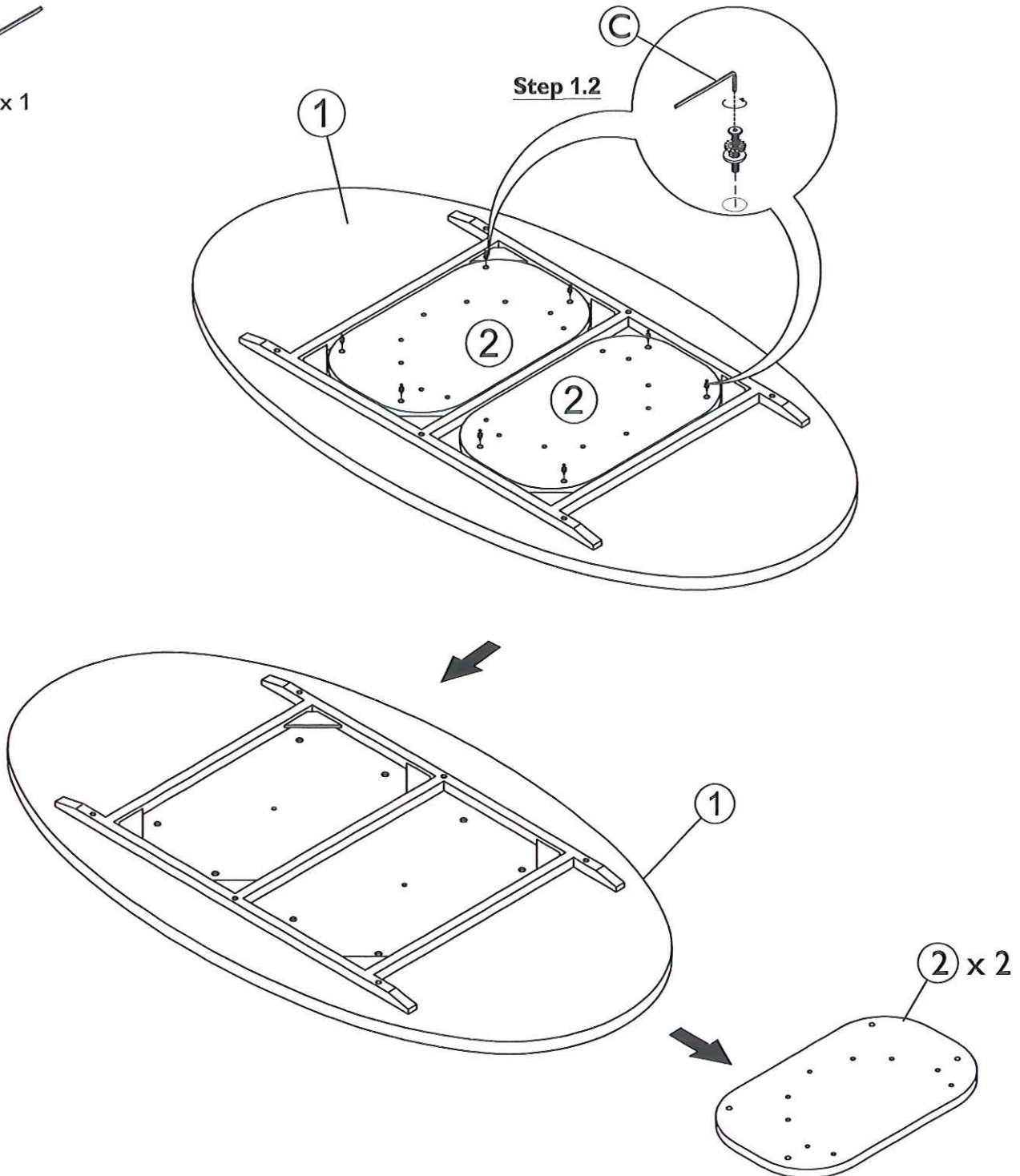
1.2 : Use small allen key (C) to turn hex head bolts counterclockwise to remove support top panels (2) from table top (1) as shown.

**NOTE :** Don't throw away all accessories, using for assembling in Step 4.

Fitting

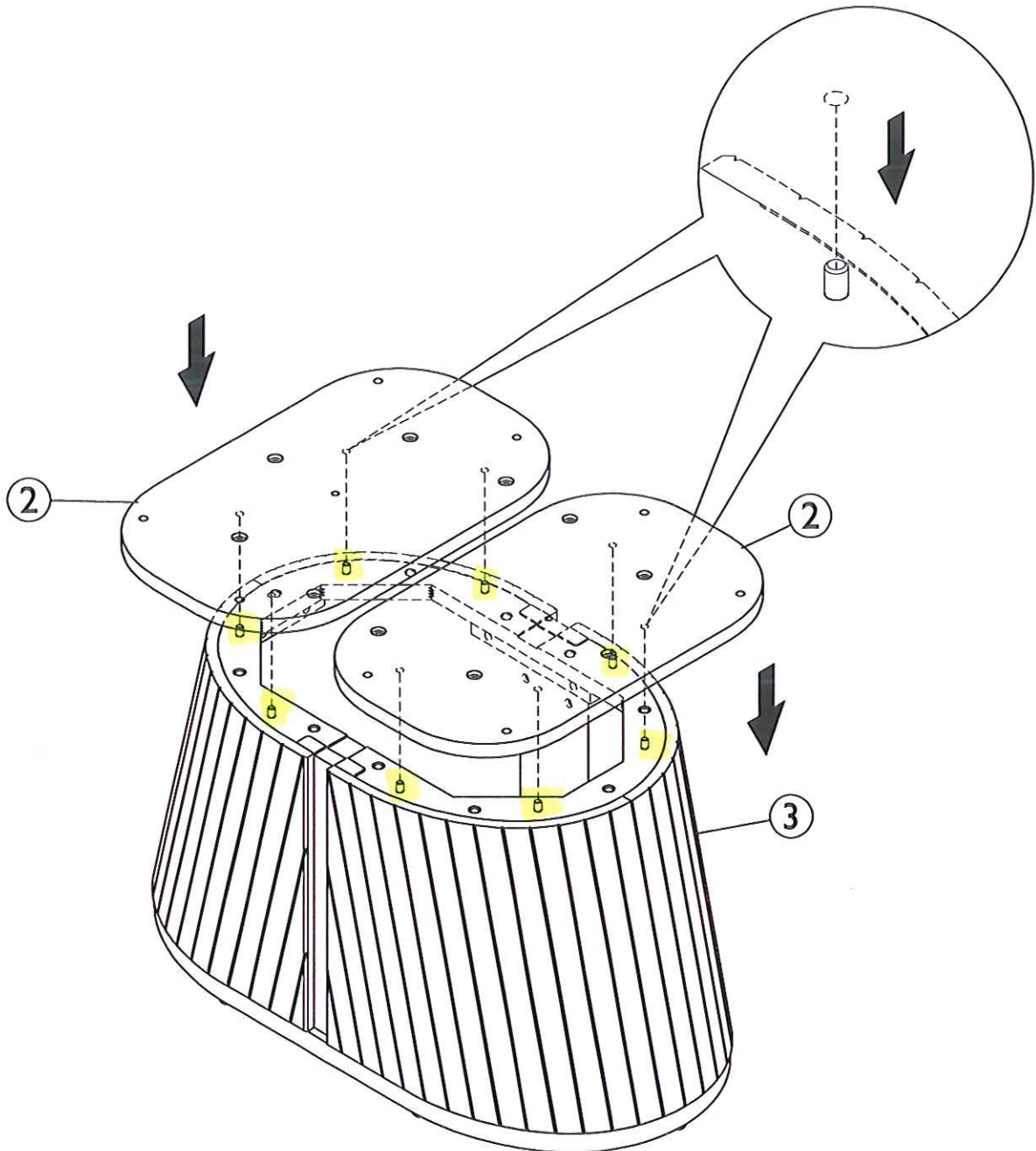


C x 1



## Step By Step Assembly Instructions

**Step 2** : Attach support top panels (2) onto leg frame (3) as shown. Ensure wooden dowels & the pre-drilled holes on support top panels (2) are aligned correctly to the holes on leg frame (3) before attaching.

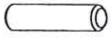




# Step By Step Assembly Instructions

- Step 3**
- 3.1 : Secure support top panels (2) to leg frame (3) using 10x hex head bolts (B) as shown. Use allen key (C) to turn fittings (B) clockwise to fix.
  - 3.2 : Insert 2x wooden dowels (A) into the pre-drilled holes on support top panels (2) as shown.
  - 3.3 : Attach table top (1) onto support top panels (2) as shown. Ensure wooden dowels (A) & the pre-drilled holes on parts (2) are aligned correctly to the holes on table top (1) before attaching.

Fitting



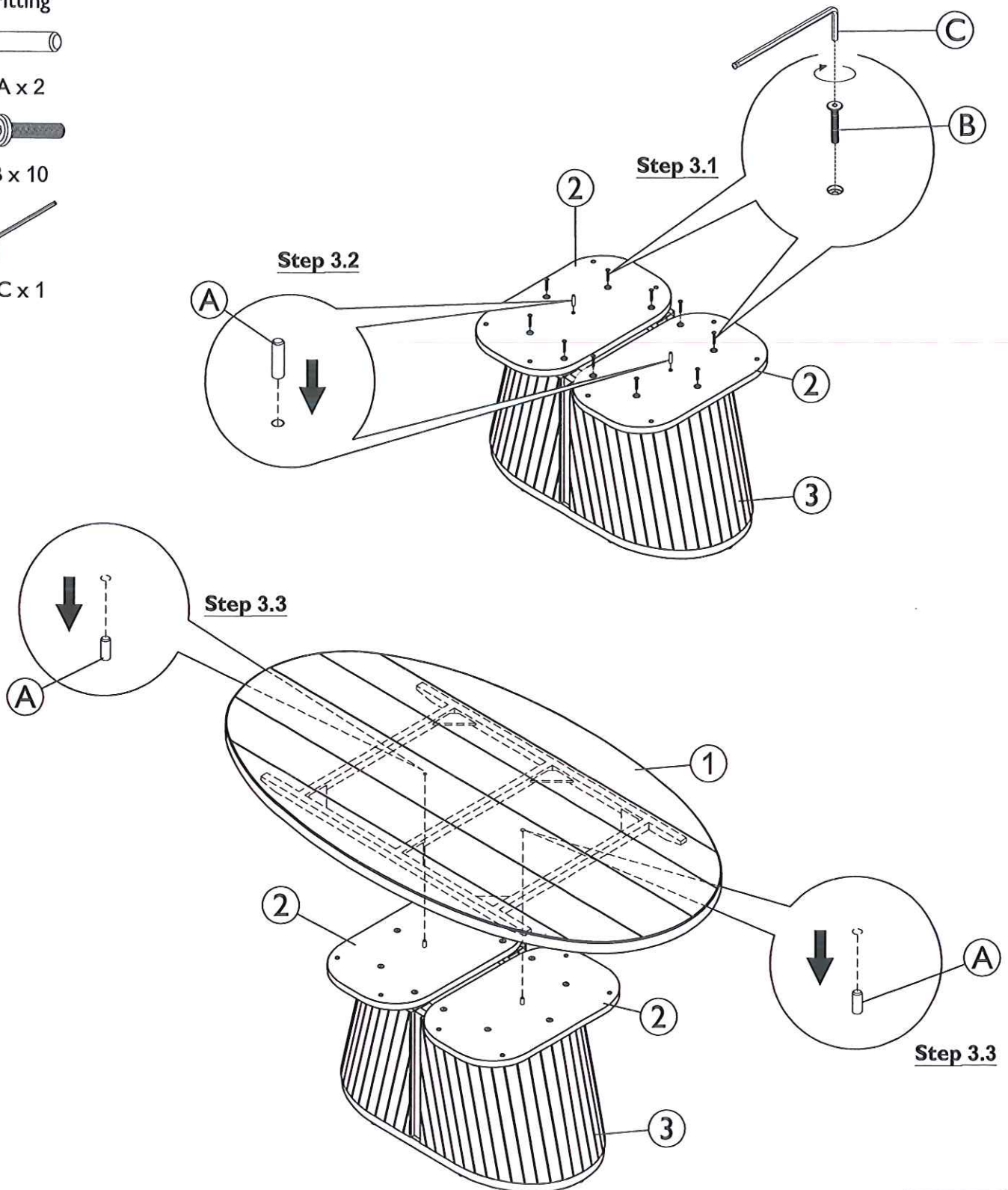
A x 2



B x 10



C x 1



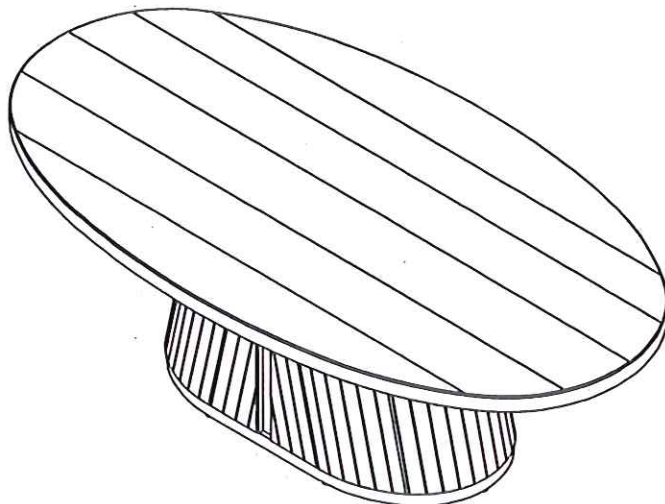
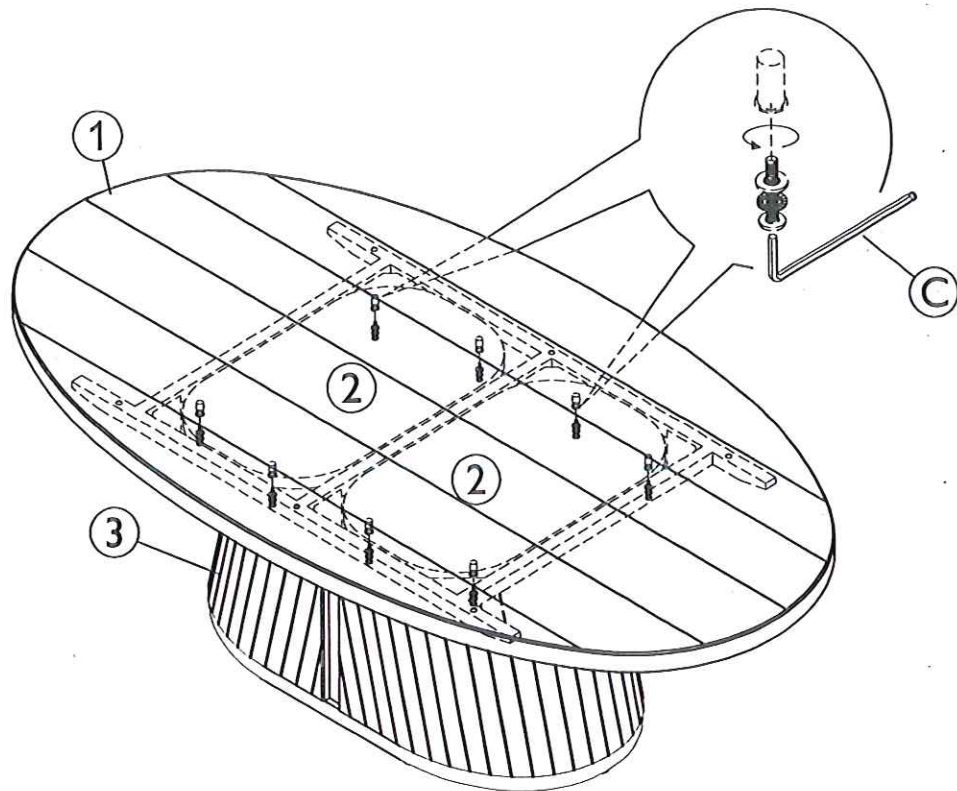
# Step By Step Assembly Instructions

- Step 4** Secure table top (1) to support top panels (2) using 8x hex head bolts, 8x lock washers and 8x flat washers removed in Step 1 as shown. Use allen key (C) to turn fittings hex head bolts clockwise to fix.

Fitting



C x 1



Assembly is complete

ECR # 46260

me  
12.10.24

W  
12.10.24

W  
12/10/24