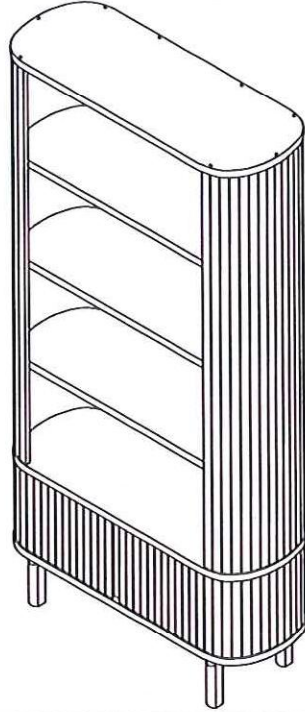


# DISPLAY UNIT

Stock number: 304X-22

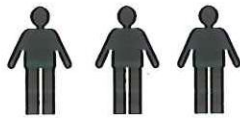
Thank you for purchasing this product. Please read the instructions carefully before use to ensure safe and satisfactory operation of this product.



## Pre-assembly preparation

Please ensure instructions are read in full before attempting to assemble this product.

**Necessary Tools :** Pozi screwdriver



Ph 2



(Included)



Please check the pack contents before attempting to assemble this product. A full checklist of components is given in this leaflet. If any components are missing, please contact the retailer from whom you bought this product.

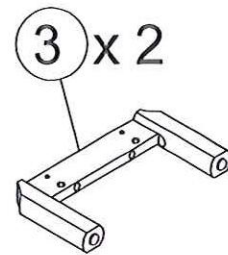
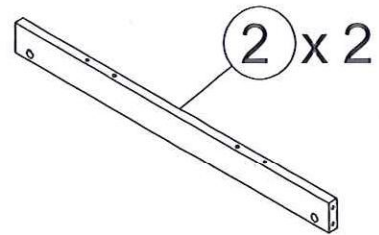
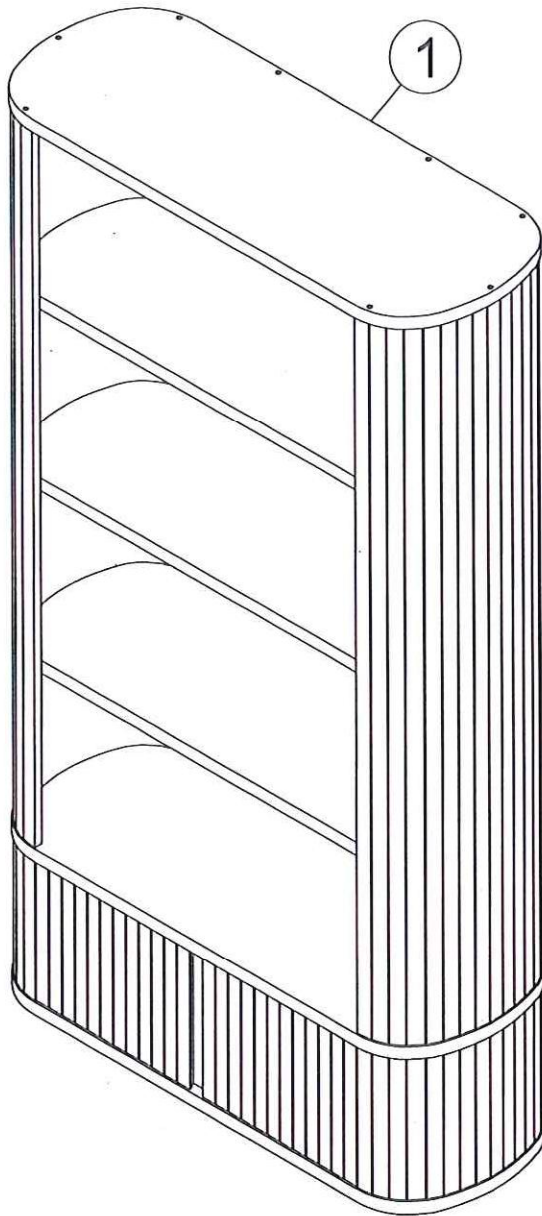
This product takes approximately **45 MINUTES** to assemble with **3 PEOPLE**.

All assembly should be performed on a flat, stable, clean and soft surface.

This product is **HEAVY**, it should be assembled as near as possible to the point of use. **TAKE CARE WHEN LIFTING** to avoid personal injury and (or) damage to the product

The fitting pack contains **SMALL ITEMS** which should be **KEPT AWAY FROM YOUNG CHILDREN**.

**IMPORTANT:** Retain these instructions for future reference.



## Fittings and parts checklist

Item	Description	Qty.	Item	Description	Qty.
1	Top unit	x 1	3	Leg frame	x 2
2	Front rail	x 2			
A	Wooden dowel Ø8 x 30mm	x 8	D	Grub screw M8 x 8mm	x 4
B	Steel dowel Ø 7 x 52mm	x 4	E	Allen key M4 x 30 x 110mm	x 1
C	Housing Ø15 x 13.5mm	x 4	F	Hex head bolt M6x60mm Ø12	x 8

# Step By Step Assembly Instructions

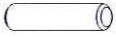
## Step 1

1.1 : Lay all parts on a flat, stable, clean and soft surface.

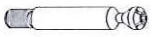
1.2 : Insert 8x wooden dowels (A) into the pre-drilled holes on parts (2) as shown.

1.3 : Attach 4x steel dowels (B) to leg frame (3) by screwing fittings (B) into the inset fittings that are located on part (3) as shown. Use a pozi screwdriver to turn fittings (B) clockwise to fix.

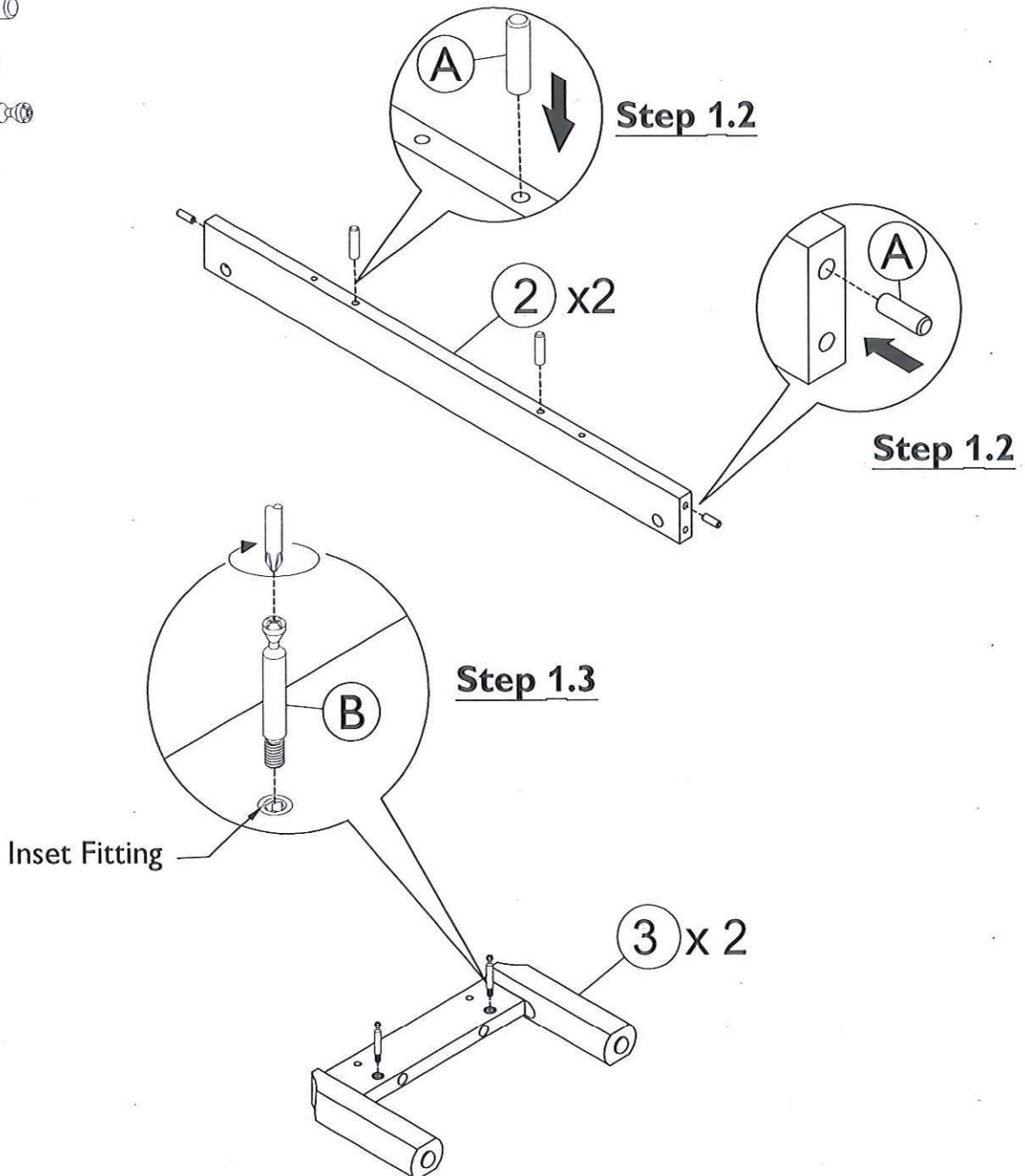
Fitting



A x 8



B x 4



# Step By Step Assembly Instructions

## Step 2

2.1 : Insert 4x housings (C) into the pre-drilled holes on front rails (2) as shown.

2.2 : Attach legs frame (3) onto front rails (2) as shown . Ensure steel dowels (B) and wooden dowels (A) are aligned correctly with the holes of mating parts before attaching.

2.3 : Secure parts (2) to parts (3) using 4x grub screws (D) as shown. Use allen key (E) to turn fittings (D). **Do not fully tighten grub screw.**

Fitting



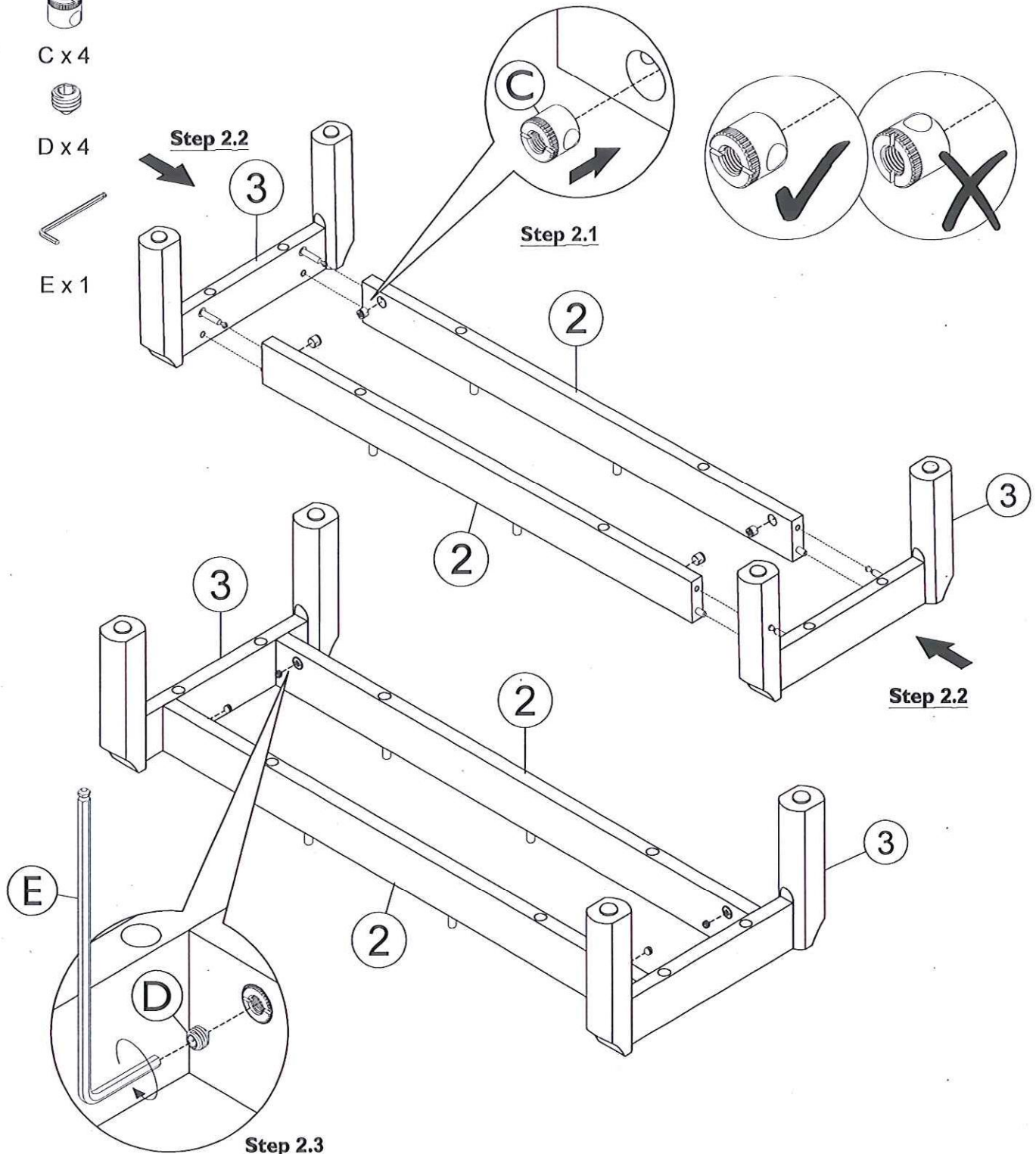
C x 4



D x 4

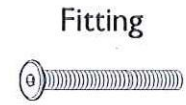


E x 1



# Step By Step Assembly Instructions

- Step 3**
- 3.1 : Attach the structure assembled in **step 2** onto top unit (1) as shown. Ensure wooden dowels (A) and the pre-drilled holes on front rail (2) are aligned correctly to the holes on top unit (1) before attaching.
- 3.2 : Secure the structure assembled in **step 2** onto top unit (1) using 10x hex head bolts (F) as shown. Use allen key (E) to turn fittings (F) clockwise to fix.
- 3.3 : Using allen key (E) to re-tightening grub screw (D).
- 3.4 : Stand the unit upright.

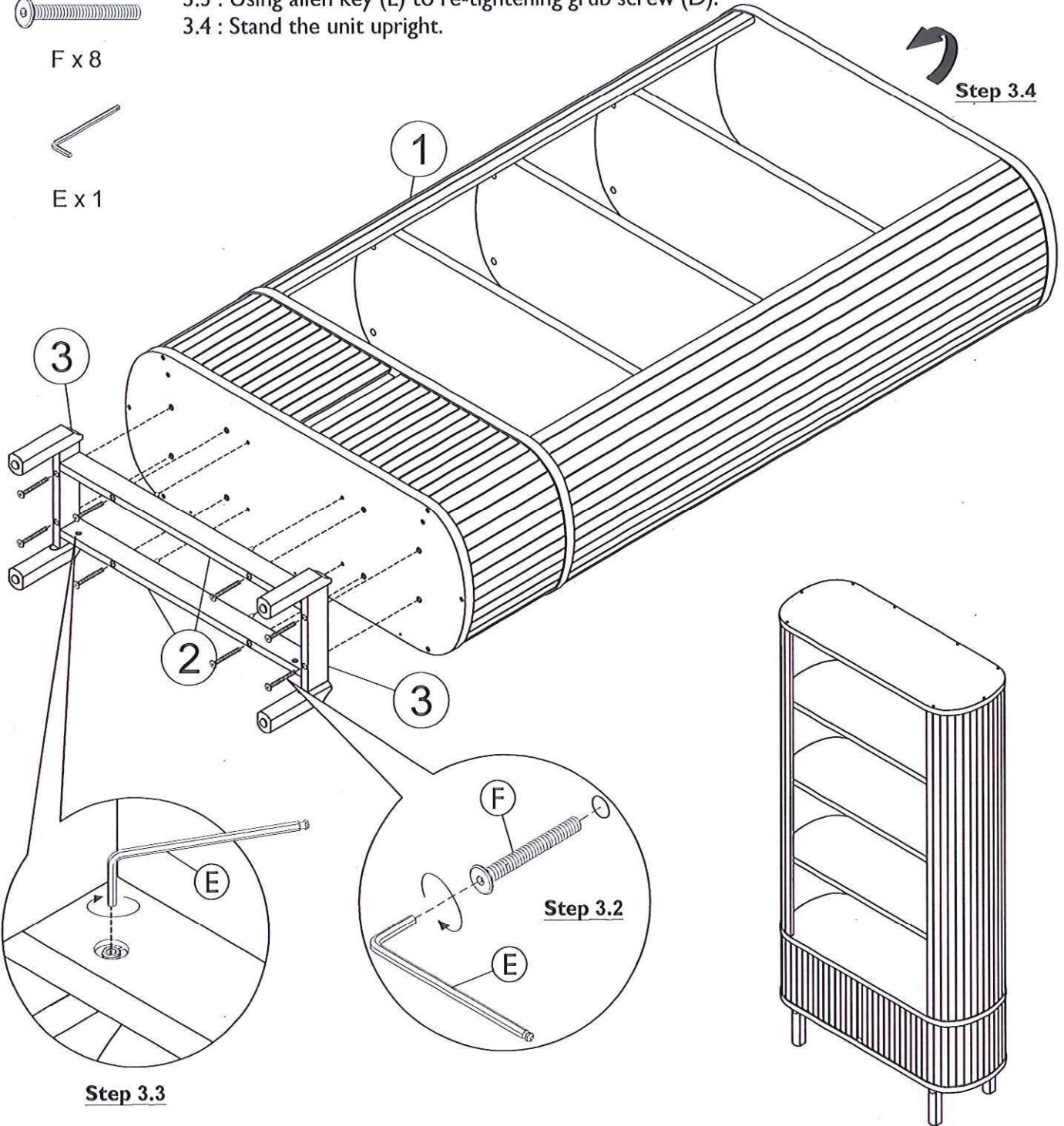


Fitting

F x 8



E x 1



**Step 3.3**

**Step 3.2**

**Assembly is complete**

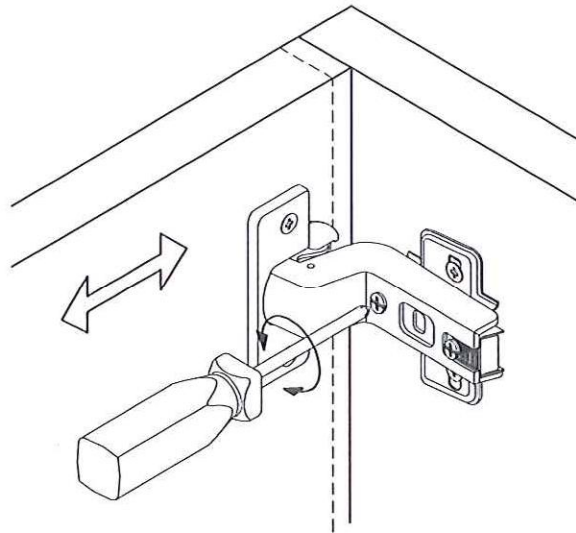
---

# HINGE ADJUSTMENT INSTRUCTIONS

---

## LATERAL ADJUSTMENT

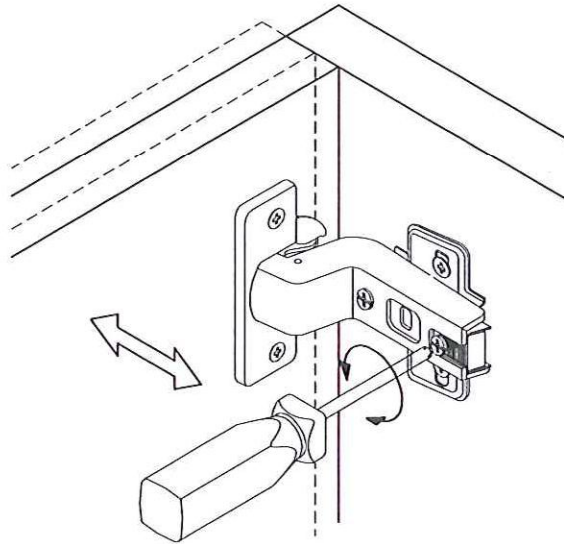
by screw adjustment.



---

## FRONT-TO-BACK

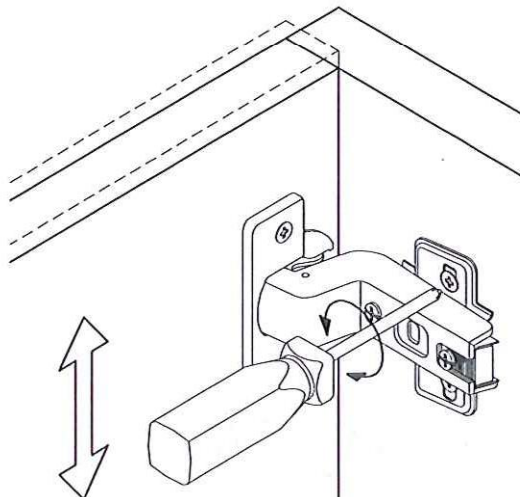
by slackening and retightening the hinge-arm mounting screw.



---

## VERTICAL ADJUSTMENT

via slots on mounting plate by slackening and retightening the screws on mounting plate



Hud  
16.09.24

[Signature]  
16/09/24

[Signature]  
16/09/24