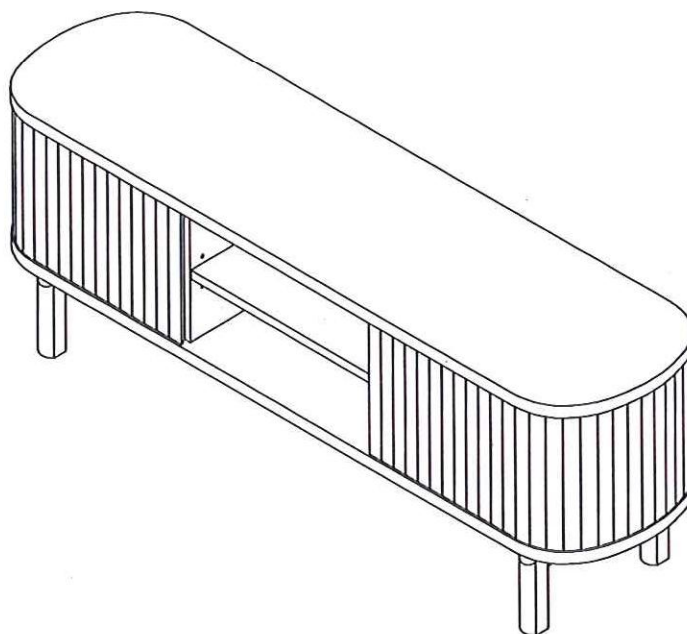


ENTERTAINMENT UNIT

Stock number: 304X-25

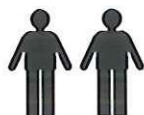
Thank you for purchasing this product. Please read the instructions carefully before use to ensure safe and satisfactory operation of this product.



Pre-assembly preparation

Please ensure instructions are read in full before attempting to assemble this product.

Necessary Tools : Phillips screwdriver



Ph 2



(Included)



Please check the pack contents before attempting to assemble this product. A full checklist of components is given in this leaflet. If any components are missing, please contact the retailer from whom you bought this product.

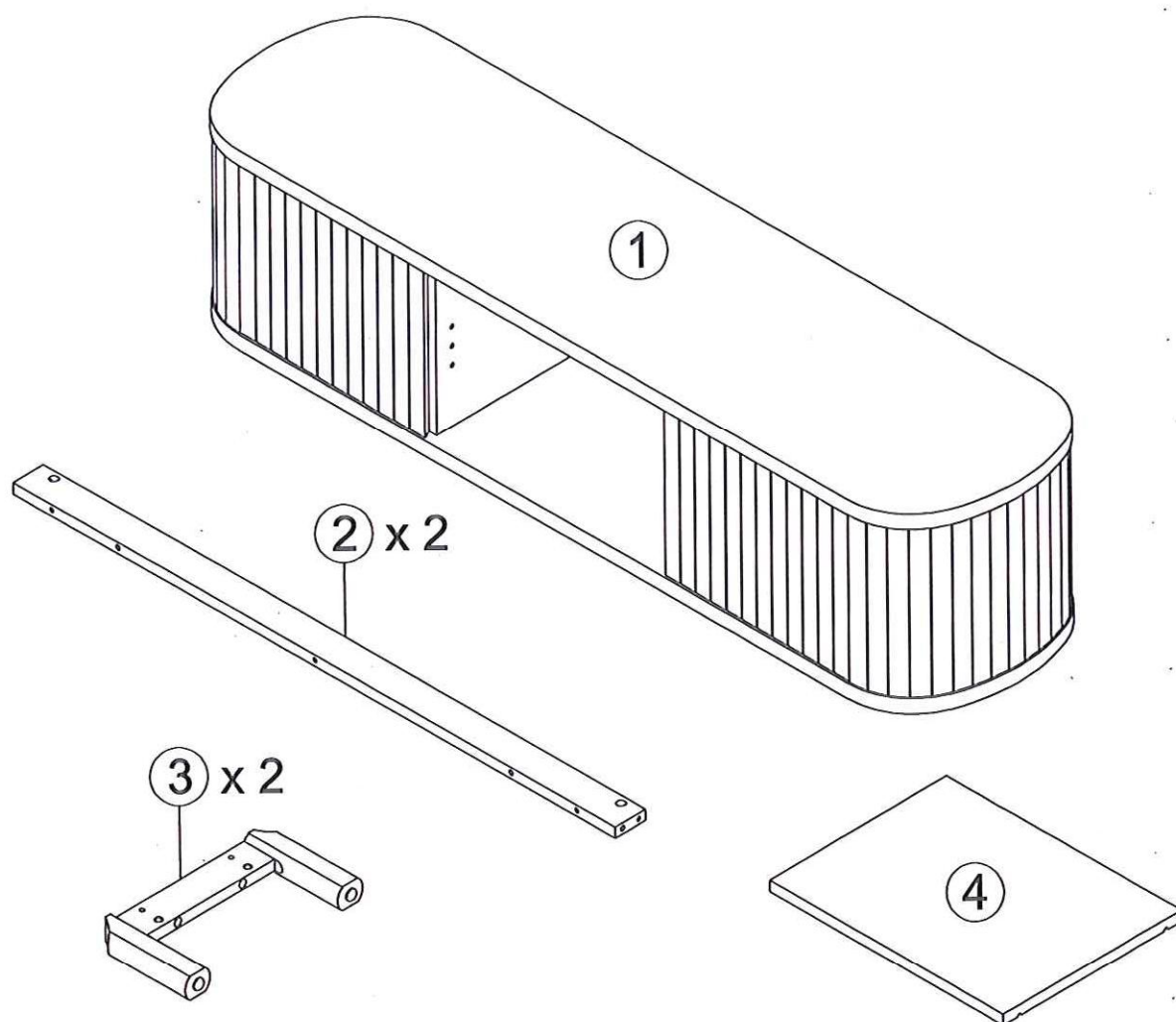
This product takes approximately **30 MINUTES** to assemble with **2 PERSON**.

All assembly should be performed on a flat, stable, clean and soft surface.



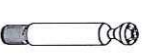




This product is **HEAVY**, it should be assembled as near as possible to the point of use. **TAKE CARE WHEN LIFTING** to avoid personal injury and (or) damage to the product.

The fitting pack contains **SMALL ITEMS** which should be **KEPT AWAY FROM YOUNG CHILDREN**.

IMPORTANT: Retain these instructions for future reference.



Fittings and parts checklist

Item	Description	Qty.	Item	Description	Qty.
1	Top unit	x 1	3	Leg frame	x 2
2	Front rail	x 2	4	Adjustable shelf	x 1
A	Wooden dowel Ø8x30mm	 x 8	E	Allen key M4 x 30 x 110mm	 x 1
B	Steel dowel Ø 7 x 52mm	 x 4	F	Hex head bolt M6x60mm Ø12	 x 10
C	Housing Ø15 x 13.5mm	 x 4	G	Shelf pin	 x 4
D	Grub screw M8 x 8mm	 x 4			

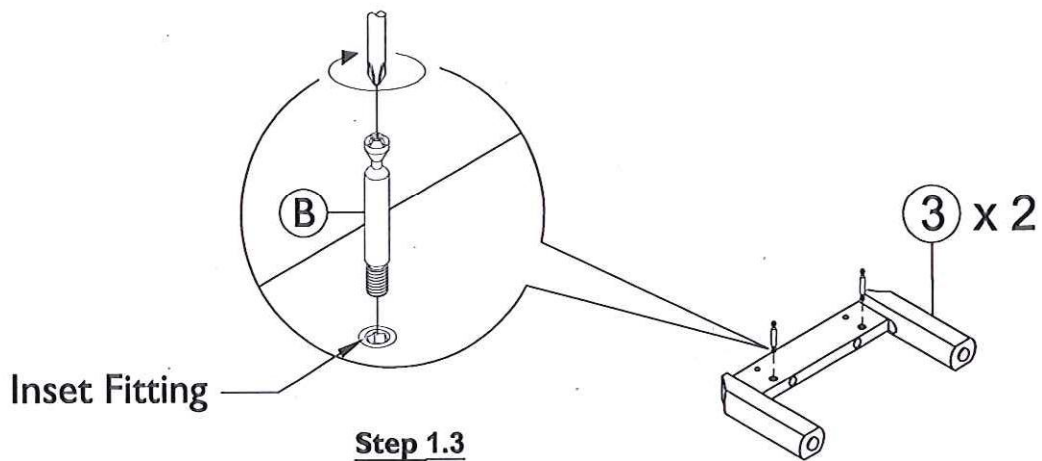
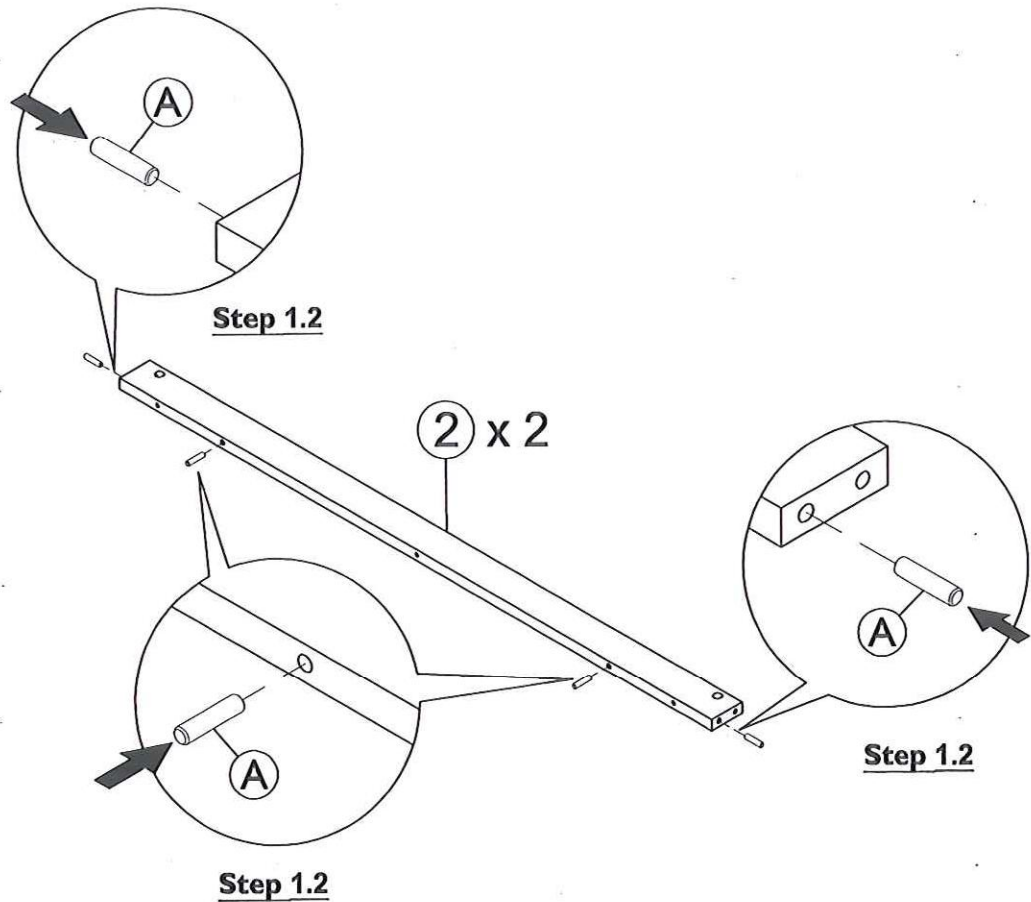
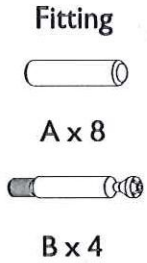
Step By Step Assembly Instructions

Step 1

1.1 : Lay all parts on a flat, stable, clean and soft surface.

1.2 : Insert 8x wooden dowels (A) into the pre-drilled holes on parts (2) as shown.

1.3 : Attach 4x steel dowels (B) to leg frame (3) by screwing fittings (B) into the inset fittings that are located on part (3) as shown. Use a pozi screwdriver to turn fittings (B) clockwise to fix.



Step By Step Assembly Instructions

Step 2

- 2.1 : Insert 4x housings (C) into the pre-drilled holes on front rails (2) as shown.
- 2.2 : Attach legs frame (3) onto front rails (2) as shown . Ensure steel dowels (B) and wooden dowels (A) are aligned correctly with the holes of mating parts before attaching.
- 2.3 : Secure parts (2) to parts (3) using 4x grub screws (D) as shown. Use allen key (E) to turn fittings (D). **Do not fully tighten grub screw.**

Fitting



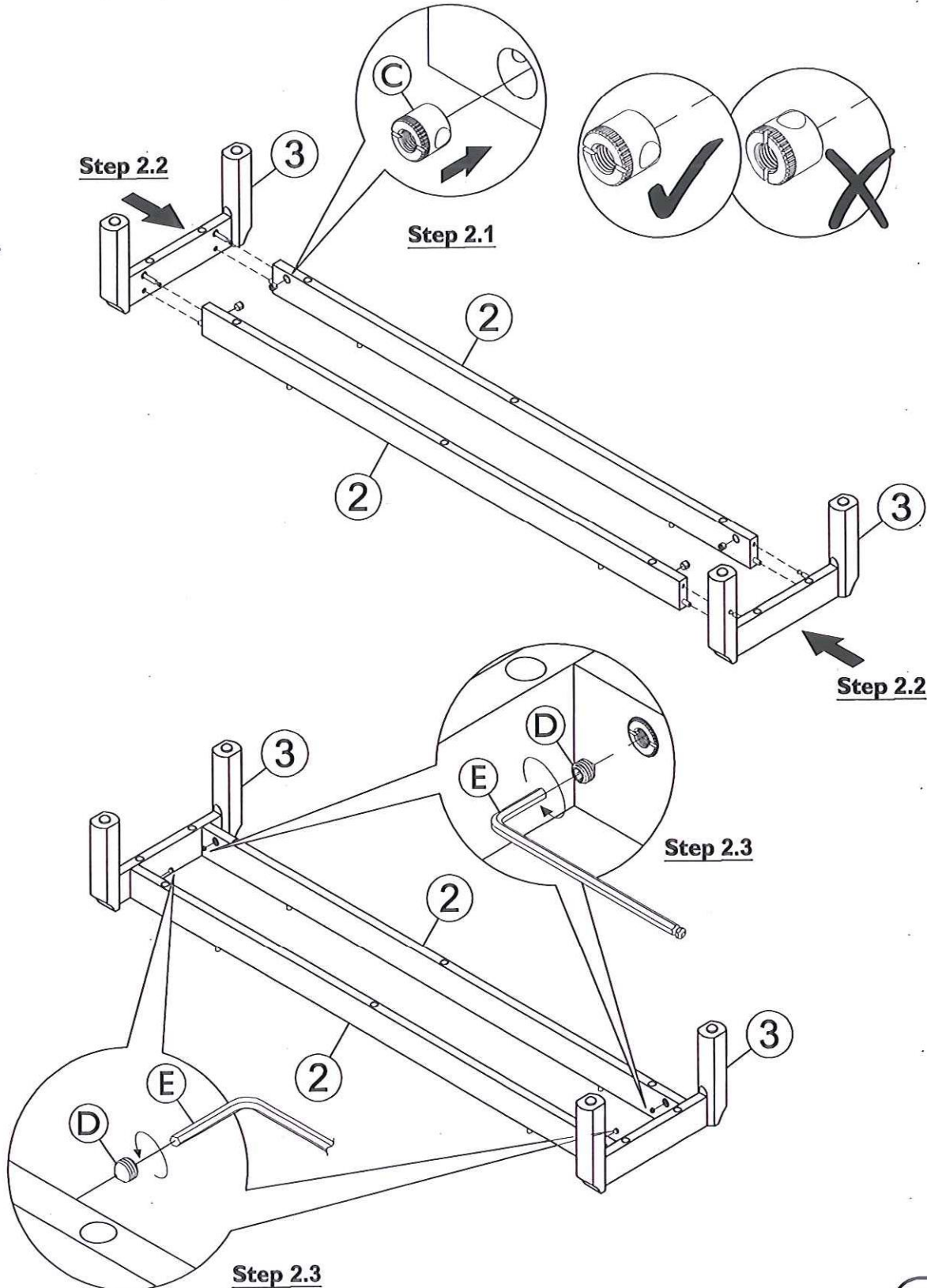
C x 4



D x 4



E x 1



Step By Step Assembly Instructions

- Step 3**
- 3.1 : Attach the structure assembled in **step 2** onto top unit (1) as shown. Ensure wooden dowels (A) and the pre-drilled holes on front rail (2) are aligned correctly to the holes on top unit (1) before attaching.
 - 3.2 : Secure the structure assembled in **step 2** onto top unit (1) using 10x hex head bolts (F) as shown. Use allen key (E) to turn fittings (F) clockwise to fix.
 - 3.3 : Using allen key (E) to re-tightening grub screw (D).
 - 3.4 : Stand the unit upright.

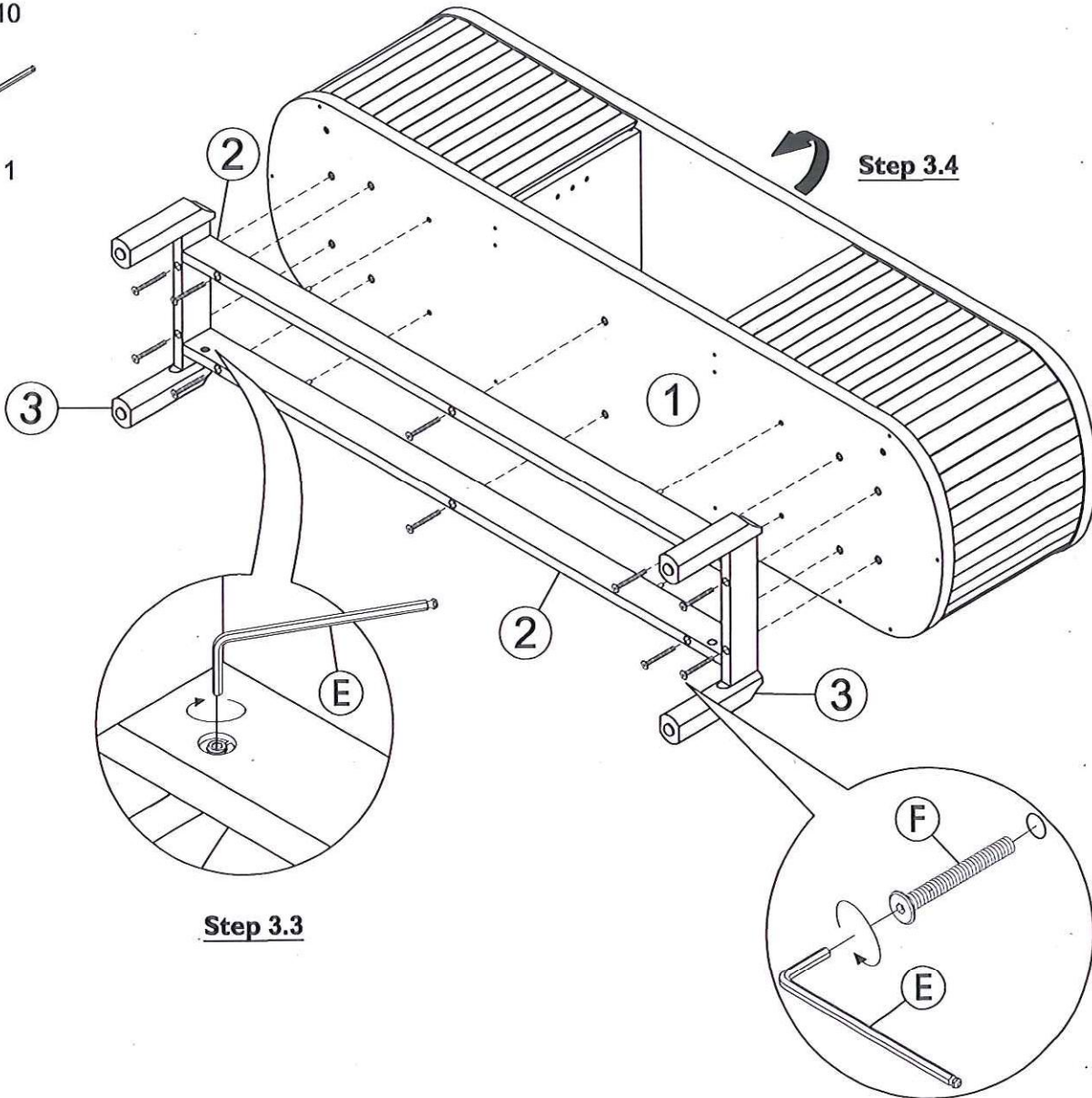
Fitting



F x 10



E x 1



Step 3.3

Step 3.2

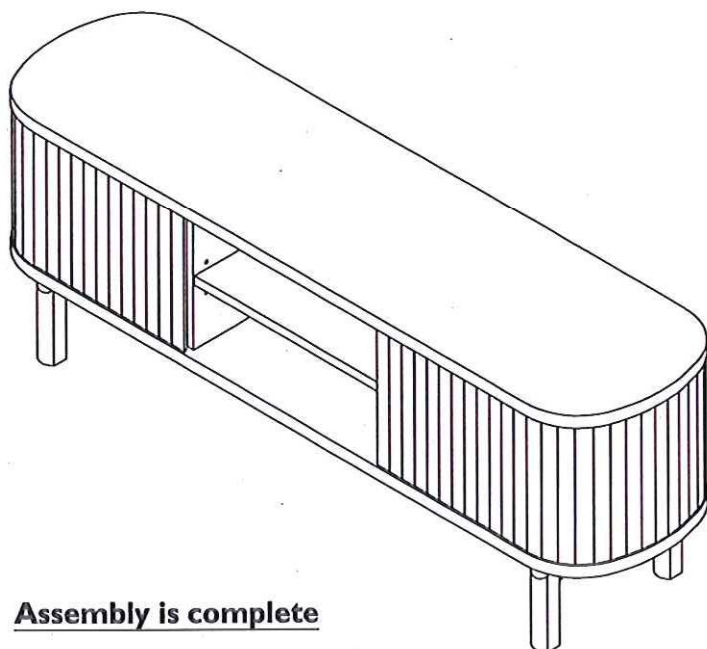
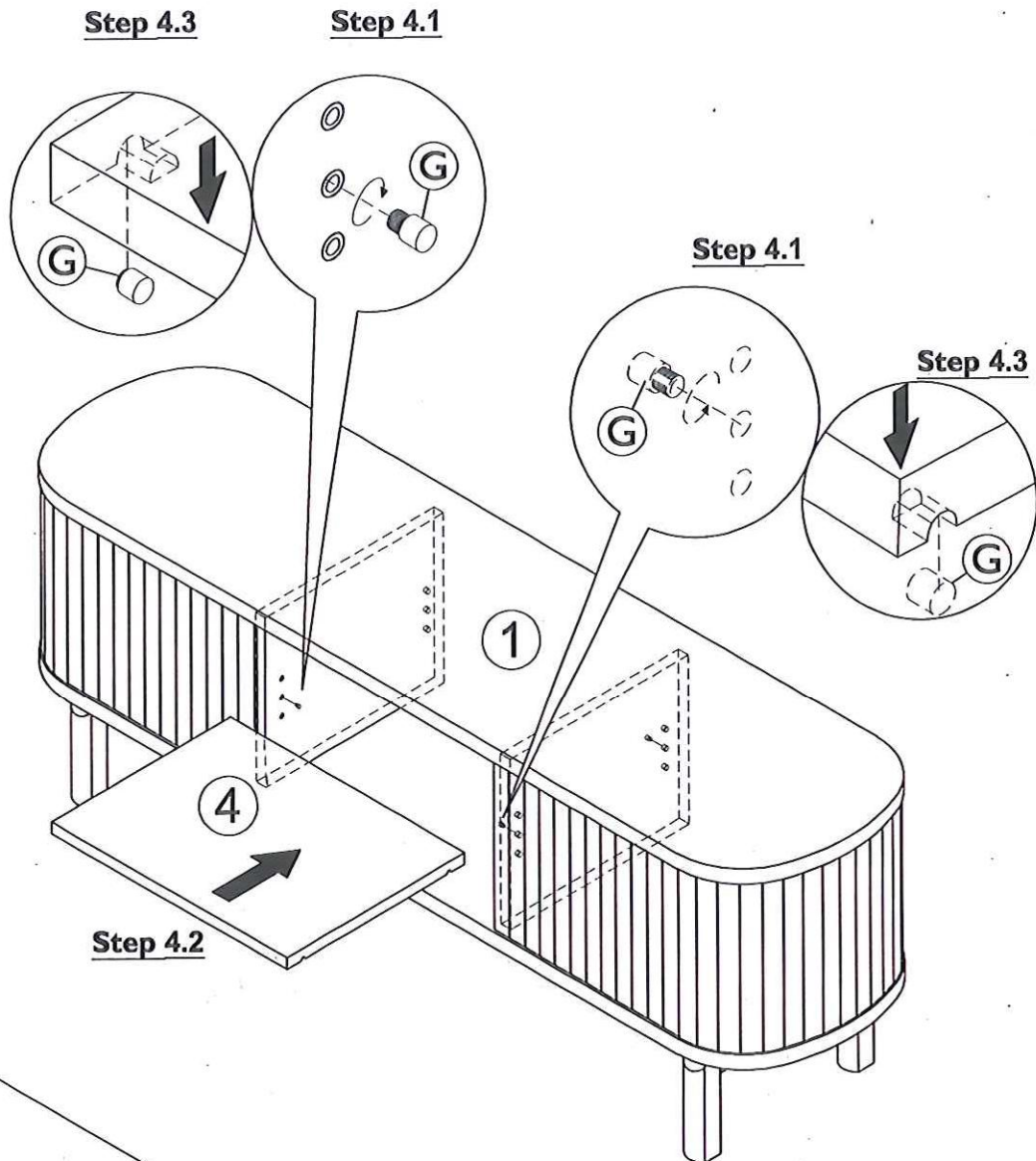
Step By Step Assembly Instructions

- Step 4**
- 4.1 : Screw 4x shelf pins (G) into the inset fittings on partition as shown.
 - 4.2 : Slide adjustable shelf (4) into the top unit (1) as shown. Ensure the notches on adjustable shelf (4) is facing down.
 - 4.3 : Lower the adjustable shelf (4) onto the pins of shelf pins (G) as shown.

Fitting



G x 4

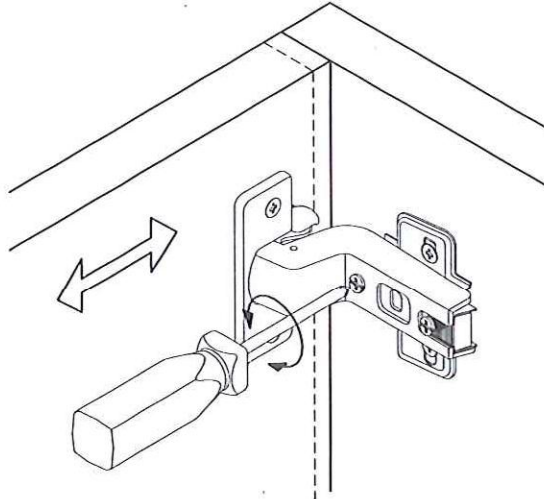


Assembly is complete

HINGE ADJUSTMENT INSTRUCTIONS

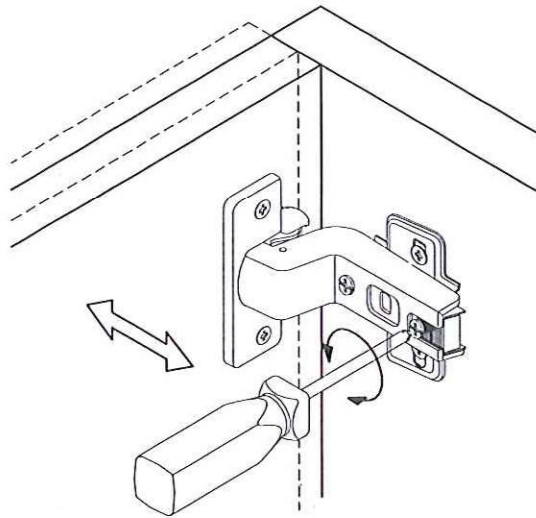
LATERAL ADJUSTMENT

by screw adjustment.



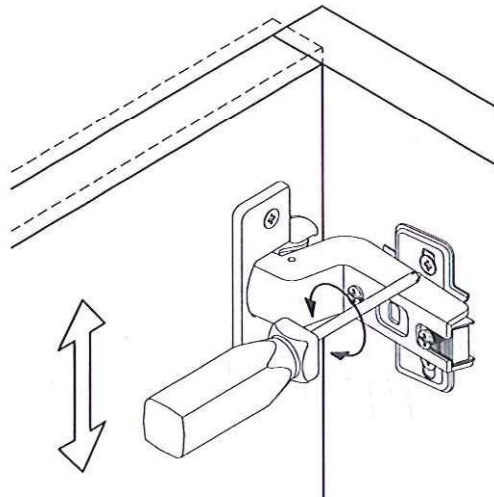
FRONT-TO-BACK

by slackening and retightening the hinge-arm mounting screw.



VERTICAL ADJUSTMENT

via slots on mounting plate by slackening and retightening the screws on mounting plate



Hung
16.09.24


16/09/24


16/09/24