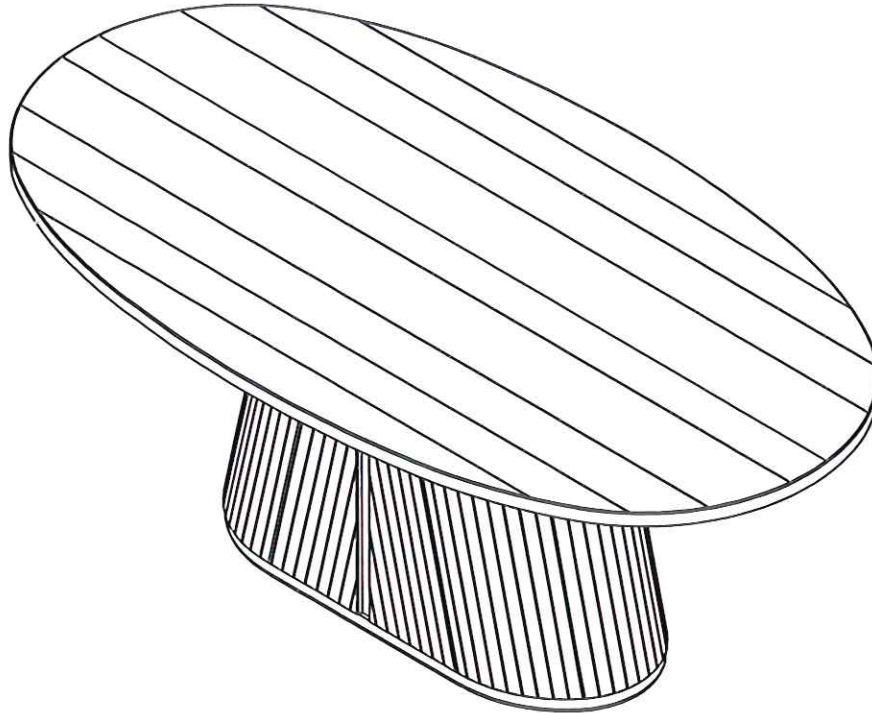


6 SEATER FIXED DINING TABLE

Stock number: 304X-4

Thank you for purchasing this product. Please read the instructions carefully before use to ensure safe and satisfactory operation of this product.



Pre-assembly preparation

Please ensure instructions are read in full before attempting to assemble this product.

Necessary Tools :



(Included)



Please check the pack contents before attempting to assemble this product. A full checklist of components is given in this leaflet. If any components are missing, please contact the retailer from whom you bought this product.

This product takes approximately **30 MINUTES** to assemble with **3 PEOPLE**.

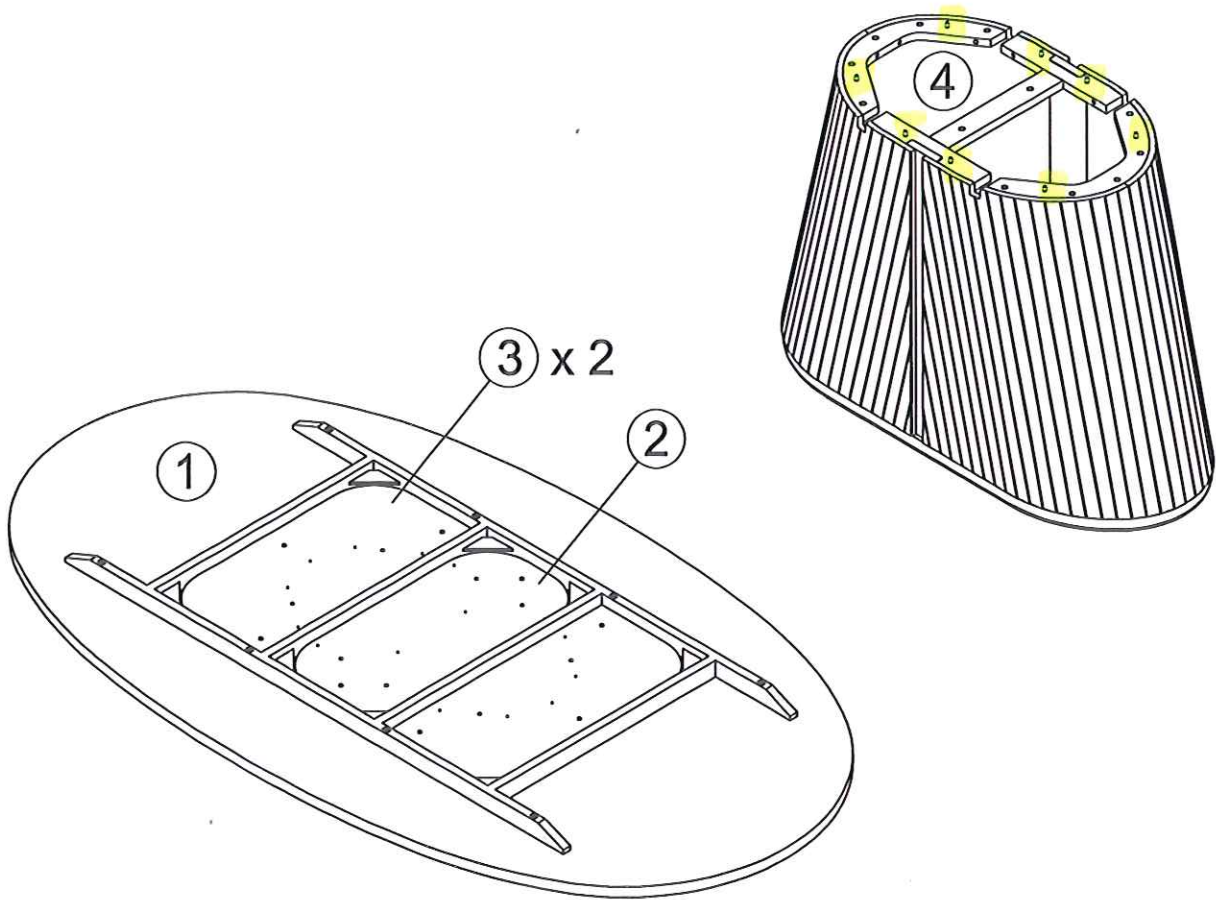
All assembly should be performed on a flat, stable, clean and soft surface.

This product is **HEAVY**, it should be assembled as near as possible to the point of use. **TAKE CARE WHEN LIFTING** to avoid personal injury and (or) damage to the product.

The fitting pack contains **SMALL ITEMS** which should be **KEPT AWAY FROM YOUNG CHILDREN**.

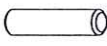


IMPORTANT: Retain these instructions for future reference.

Page : 1



Fittings and parts checklist

Item	Description	Qty.	Item	Description	Qty.
1	Table top	x 1	3	Support top B	x 2
2	Support top A	x 1	4	Leg frame	x 1

A	Wooden dowel Ø8x30mm		x 2	C	Allen key M4x30x110mm		x 1
B	Hex head bolt M6x30mm		x 16				

Step By Step Assembly Instructions

- Step 1**
- 1.1 : Lay all parts on a flat, stable, clean and soft surface.
- 1.2 : Use allen key (C) to turn hex head bolts counterclockwise to remove support top panels (2) & (3) from table top (1) as shown.
- NOTE :** Don't throw away all accessories, using for assembling in Step 4.

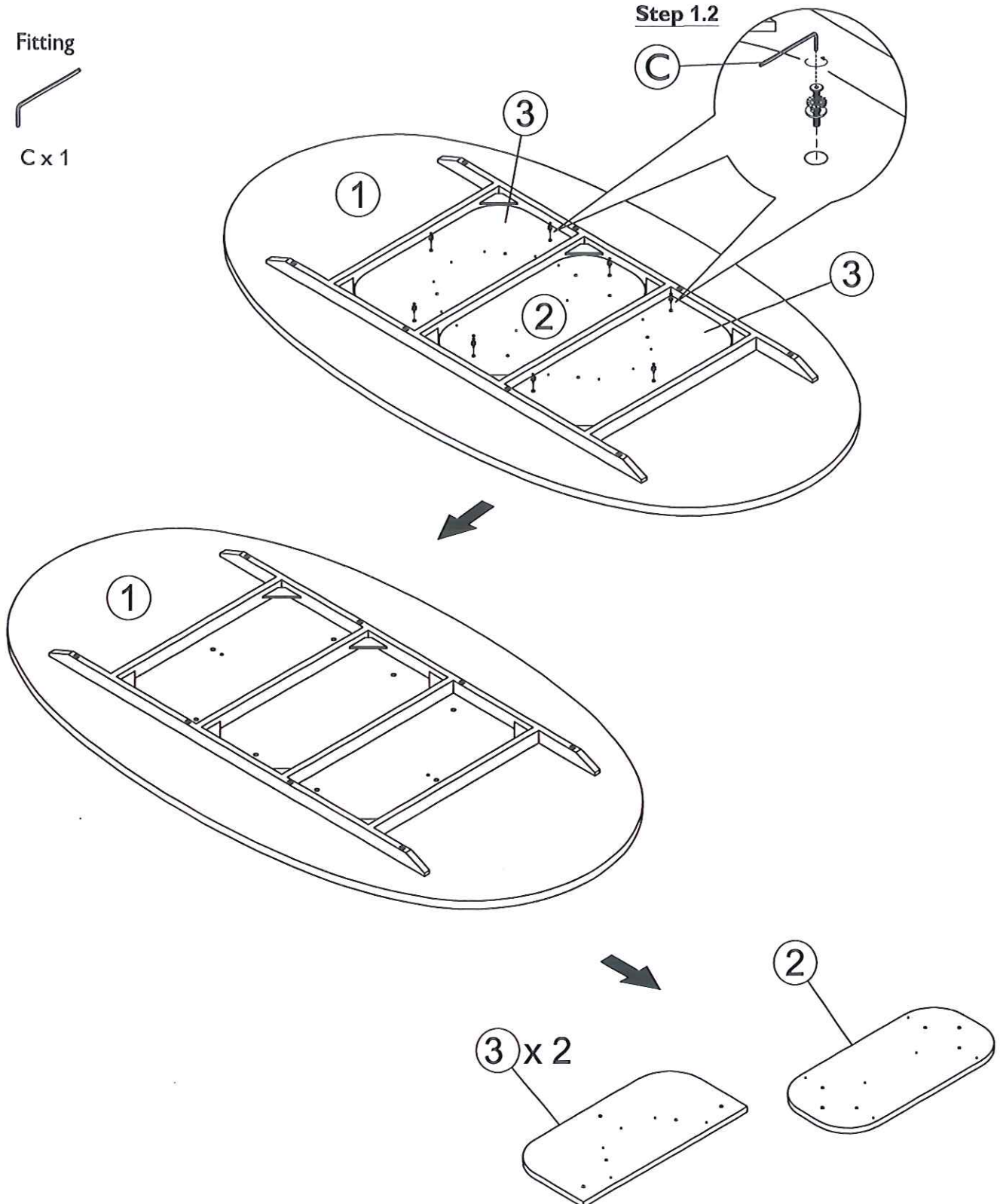
Fitting



C x 1

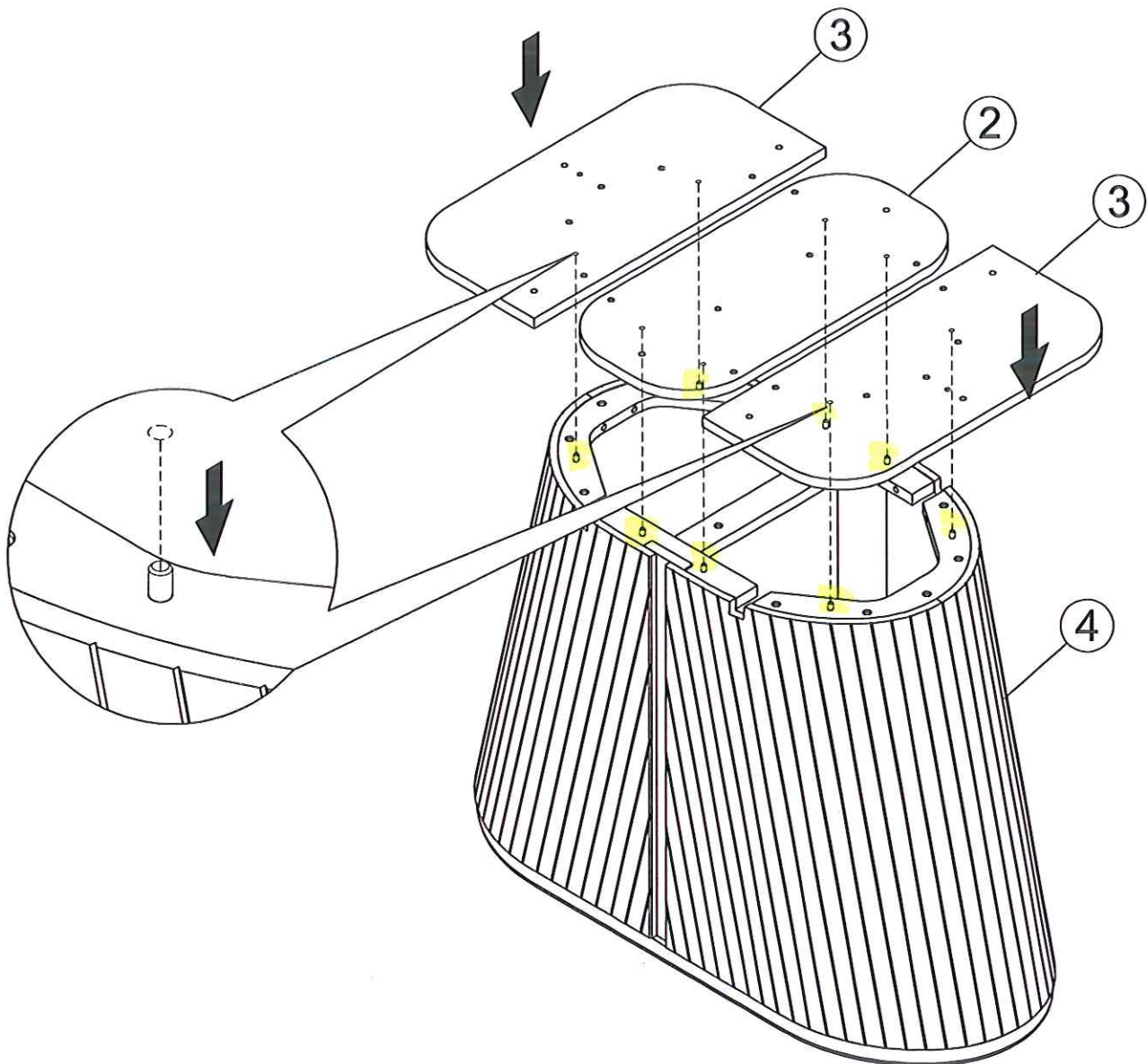
Step 1.2

(C)



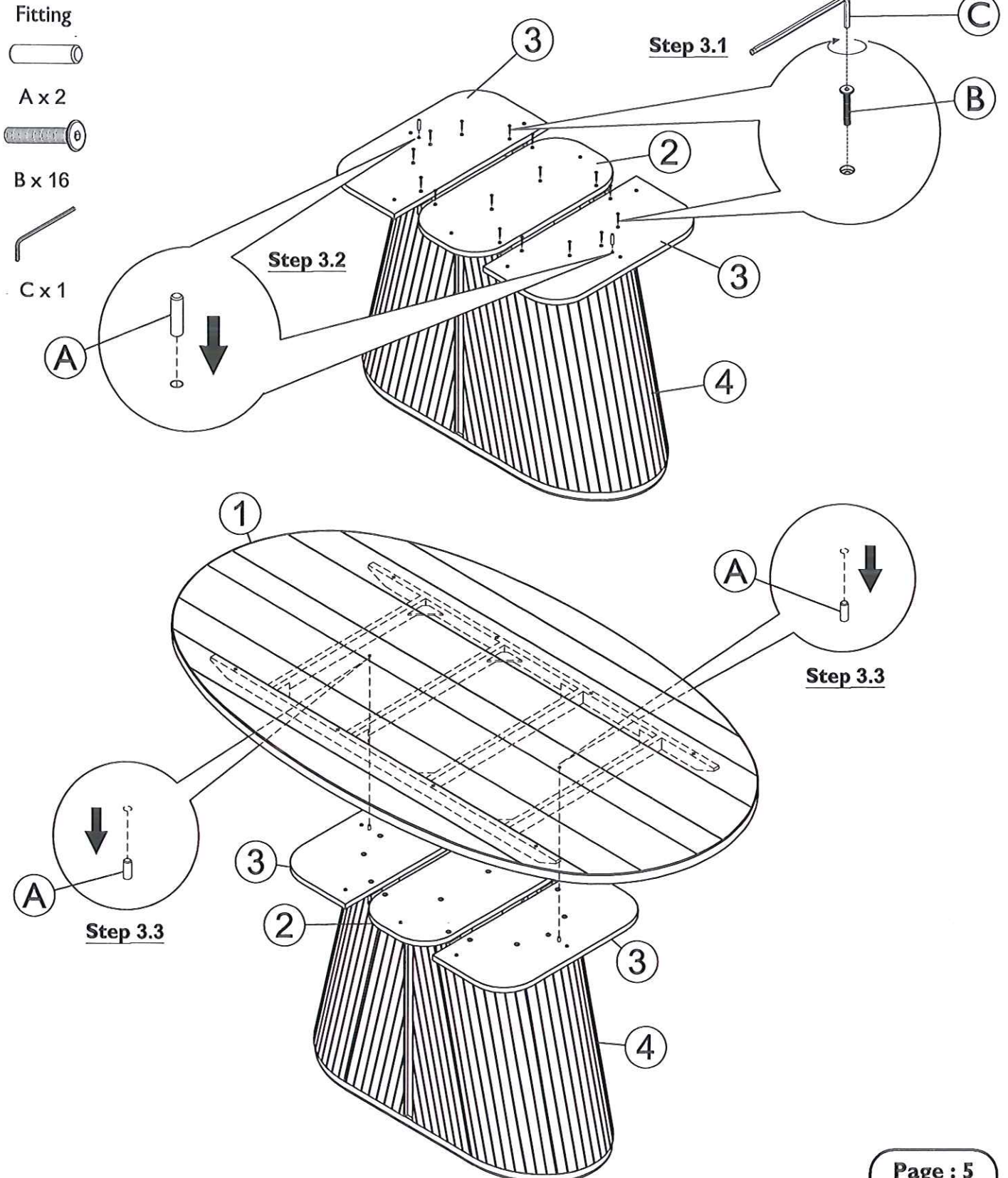
Step By Step Assembly Instructions

Step 2 : Attach support top panels (2) & (3) onto leg frame (4) as shown. Ensure wooden dowels & the pre-drilled holes on support top panels (2) & (3) are aligned correctly to the holes on leg frame (4) before attaching.



Step By Step Assembly Instructions

- Step 3**
- 3.1 : Secure parts (2) & (3) to leg frame (4) using 16x hex head bolts (B) as shown. Use allen key (C) to turn fittings (B) clockwise to fix.
 - 3.2 : Insert 2x wooden dowels (A) into the pre-drilled holes on parts (2) & (3) as shown.
 - 3.3 : Attach table top (1) onto parts (2) & (3) as shown. Ensure wooden dowels (A) & the pre-drilled holes on parts (2) & (3) are aligned correctly to the holes on table top (1) before attaching.



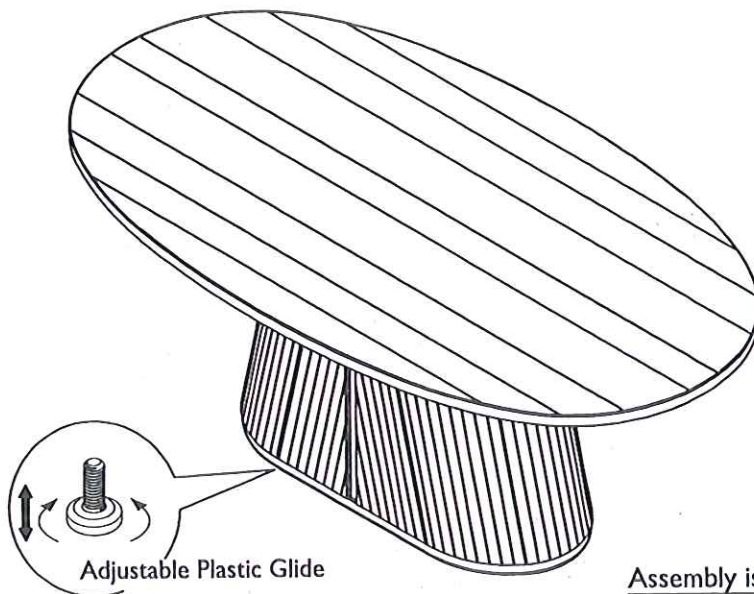
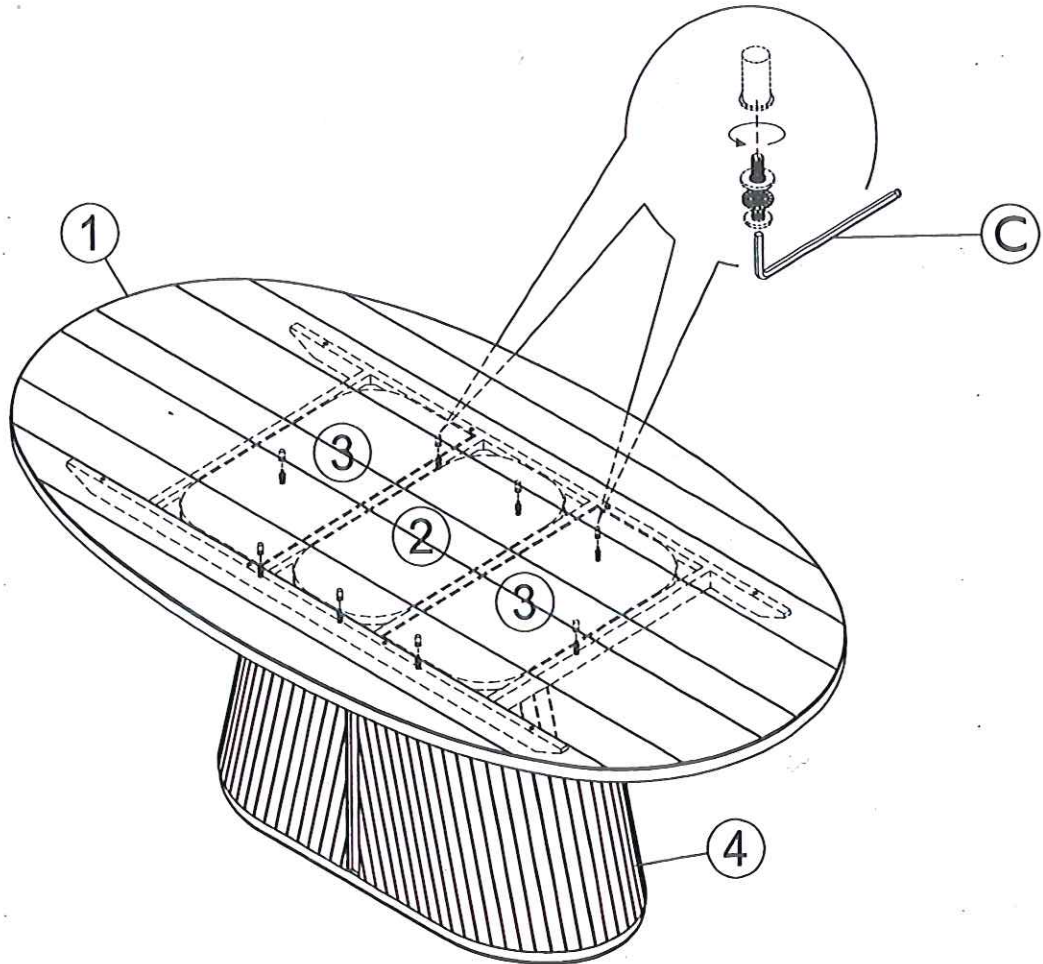
Step By Step Assembly Instructions

- Step 4** Secure table top (1) to parts (2) & (3) using 8x hex head bolts, 8x lock washers and 8x flat washers removed in Step 1 as shown. Use allen key (C) to turn fittings hex head bolts clockwise to fix.

Fitting



C x 1



Adjustable Plastic Glide

Assembly is complete

ECR #46260

Luc
12.10.24

Am
12.10.24


12/10/24