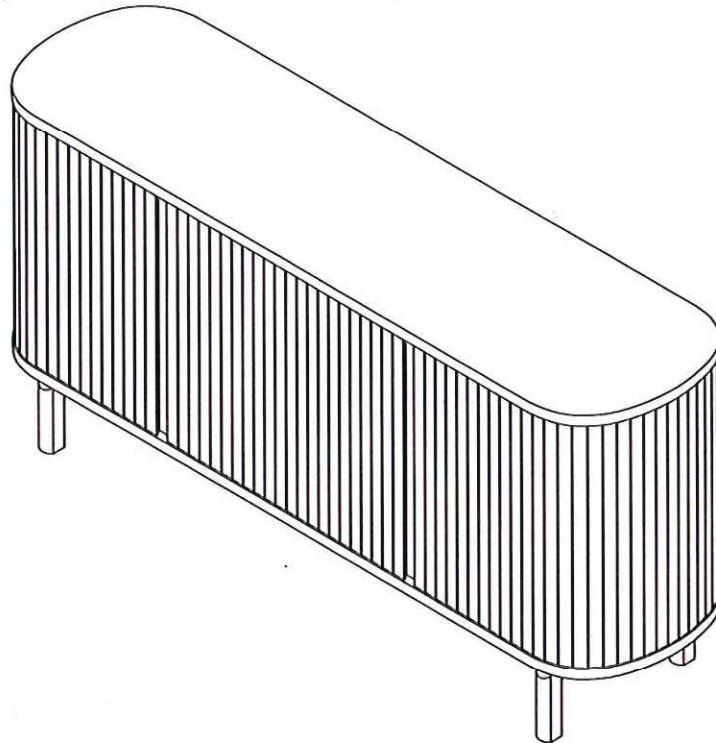


WIDE SIDEBOARD

Stock number: 304X-15

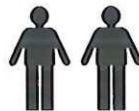
Thank you for purchasing this product. Please read the instructions carefully before use to ensure safe and satisfactory operation of this product.



Pre-assembly preparation

Please ensure instructions are read in full before attempting to assemble this product.

Necessary Tools : Phillips screwdriver



Ph 2



(Included)



Please check the pack contents before attempting to assemble this product. A full checklist of components is given in this leaflet. If any components are missing, please contact the retailer from whom you bought this product.

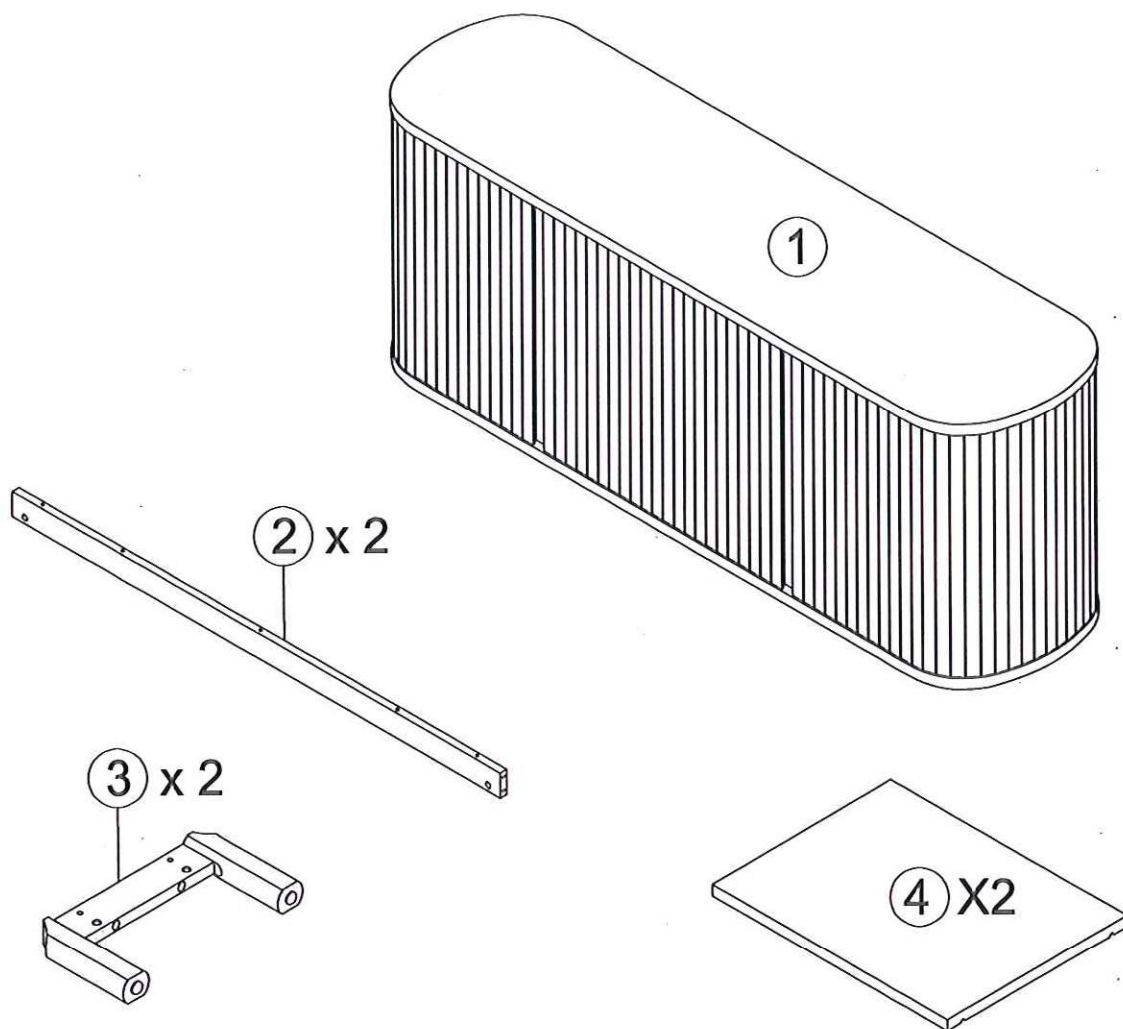
This product takes approximately **45 MINUTES** to assemble with **2 PERSON**.

All assembly should be performed on a flat, stable, clean and soft surface.


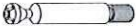


This product is **HEAVY**, it should be assembled as near as possible to the point of use. **TAKE CARE WHEN LIFTING** to avoid personal injury and (or) damage to the product.

The fitting pack contains **SMALL ITEMS** which should be **KEPT AWAY FROM YOUNG CHILDREN**.

IMPORTANT: Retain these instructions for future reference.



Fittings and parts checklist

Item	Description	Qty.		Item	Description	Qty.
1	Top unit	x 1		3	Leg frame	x 2
2	Front rail	x 2		4	Adjustable shelf	x 2
A	Wooden dowel Ø8x30mm	x 8		E	Allen Key M4x30x110mm	x 1
B	Steel dowel Ø 7 x 52mm	x 4		F	Head Hex Bolt M6x60mm Ø12	x 10
C	Housing Ø15 x 13.5mm	x 4		G	Shelf Pin	x 8
D	Grub screw M8 x 8mm	x 4				

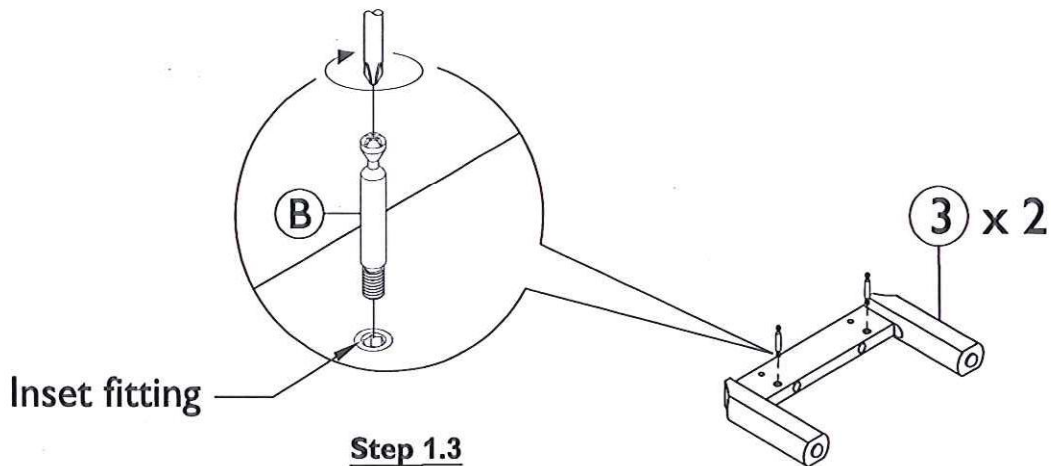
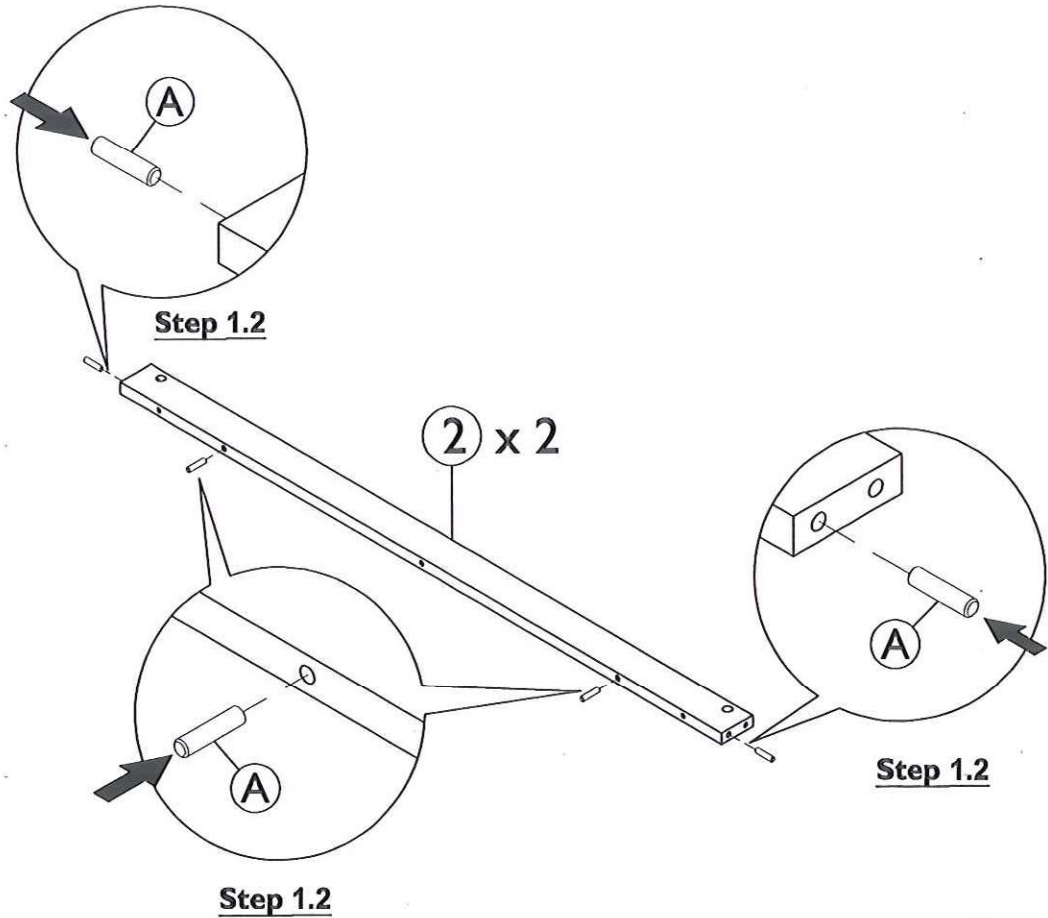
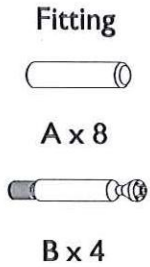
Step By Step Assembly Instructions

Step 1

1.1 : Lay all parts on a flat, stable, clean and soft surface.

1.2 : Insert 8x wooden dowels (A) into the pre-drilled holes on parts (2) as shown.

1.3 : Attach 4x steel dowels (B) to leg frame (3) by screwing fittings (B) into the inset fittings that are located on part (3) as shown. Use a pozi screwdriver to turn fittings (B) clockwise to fix.



Step By Step Assembly Instructions

Step 2

- 2.1 : Insert 4x housings (C) into the pre-drilled holes on front rails (2) as shown.
- 2.2 : Attach legs frame (3) onto front rails (2) as shown . Ensure steel dowels (B) and wooden dowels (A) are aligned correctly with the holes of mating parts before attaching.
- 2.3 : Secure parts (2) to parts (3) using 4x grub screws (D) as shown. Use allen key (E) to turn fittings (D). **Do not fully tighten grub screw.**

Fitting



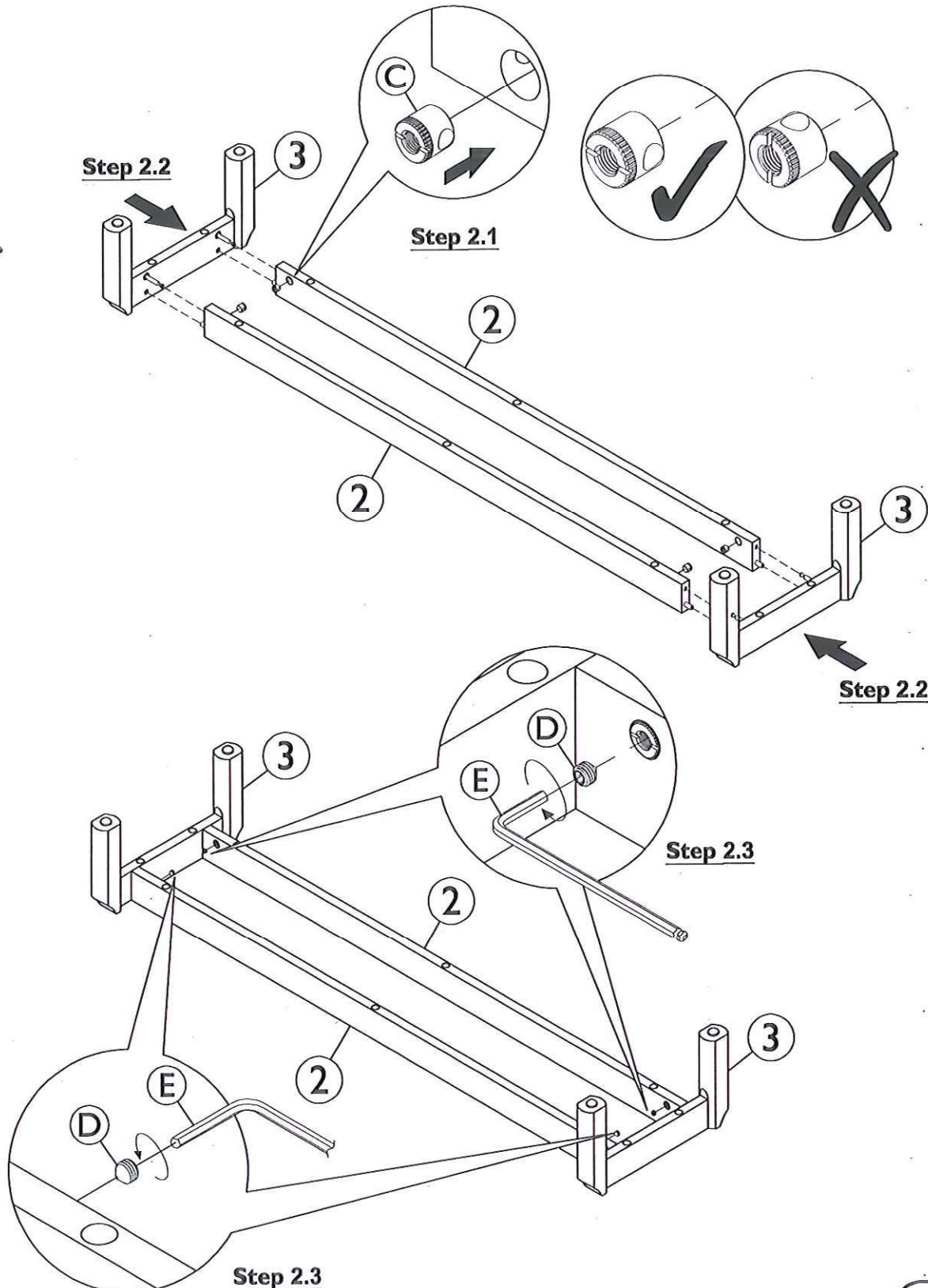
C x 4



D x 4



E x 1



Step By Step Assembly Instructions

- Step 3**
- 3.1 : Attach the structure assembled in **step 2** onto top unit (1) as shown. Ensure wooden dowels (A) and the pre-drilled holes on front rail (2) are aligned correctly to the holes on top unit (1) before attaching.
- 3.2 : Secure the structure assembled in **step 2** onto top unit (1) using 10x hex head bolts (F) as shown. Use allen key (E) to turn fittings (F) clockwise to fix.
- 3.3 : Using allen key (E) to re-tightening grub screw (D).
- 3.4 : Stand the unit upright.

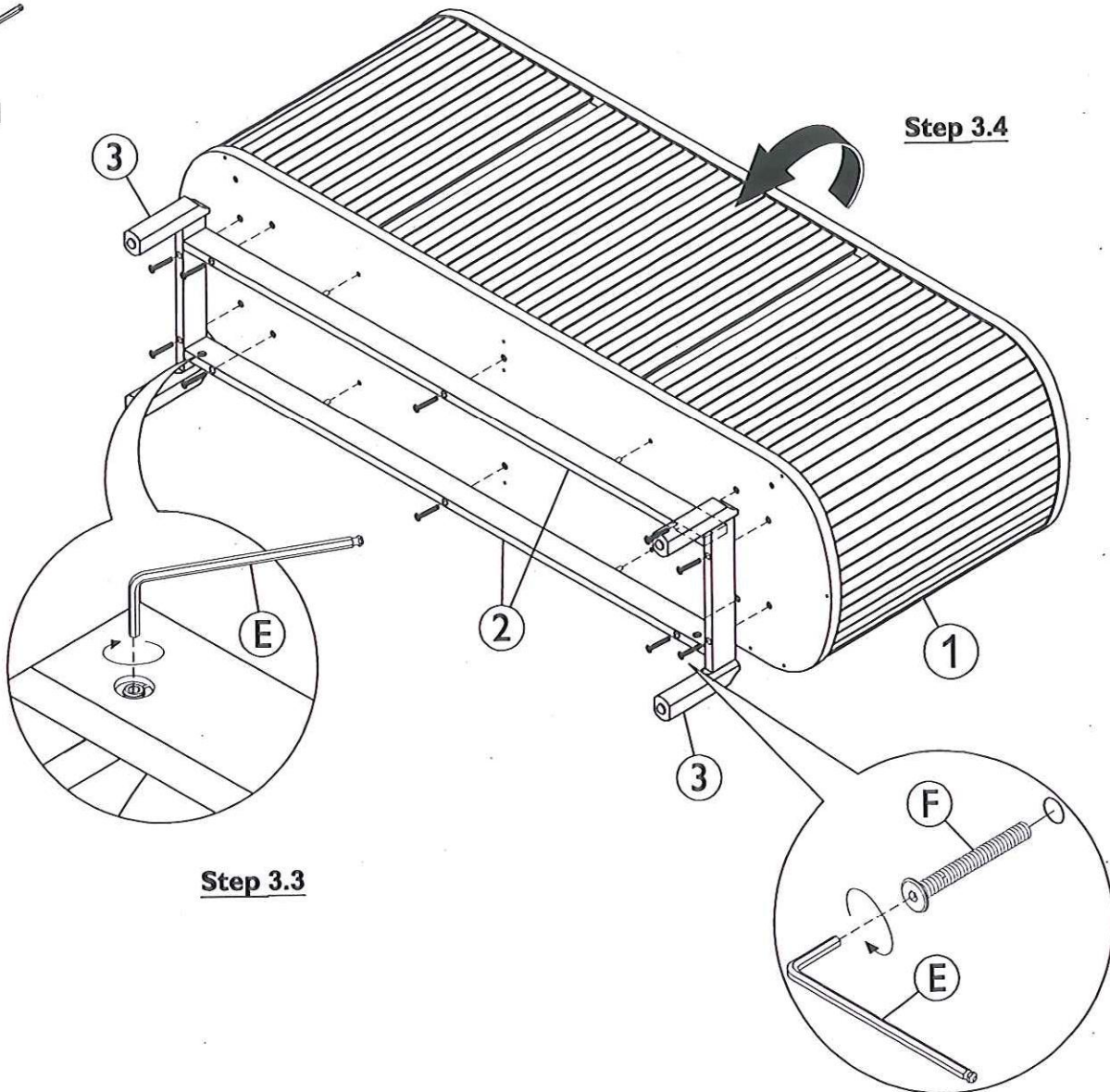
Fitting



F x 10



E x 1

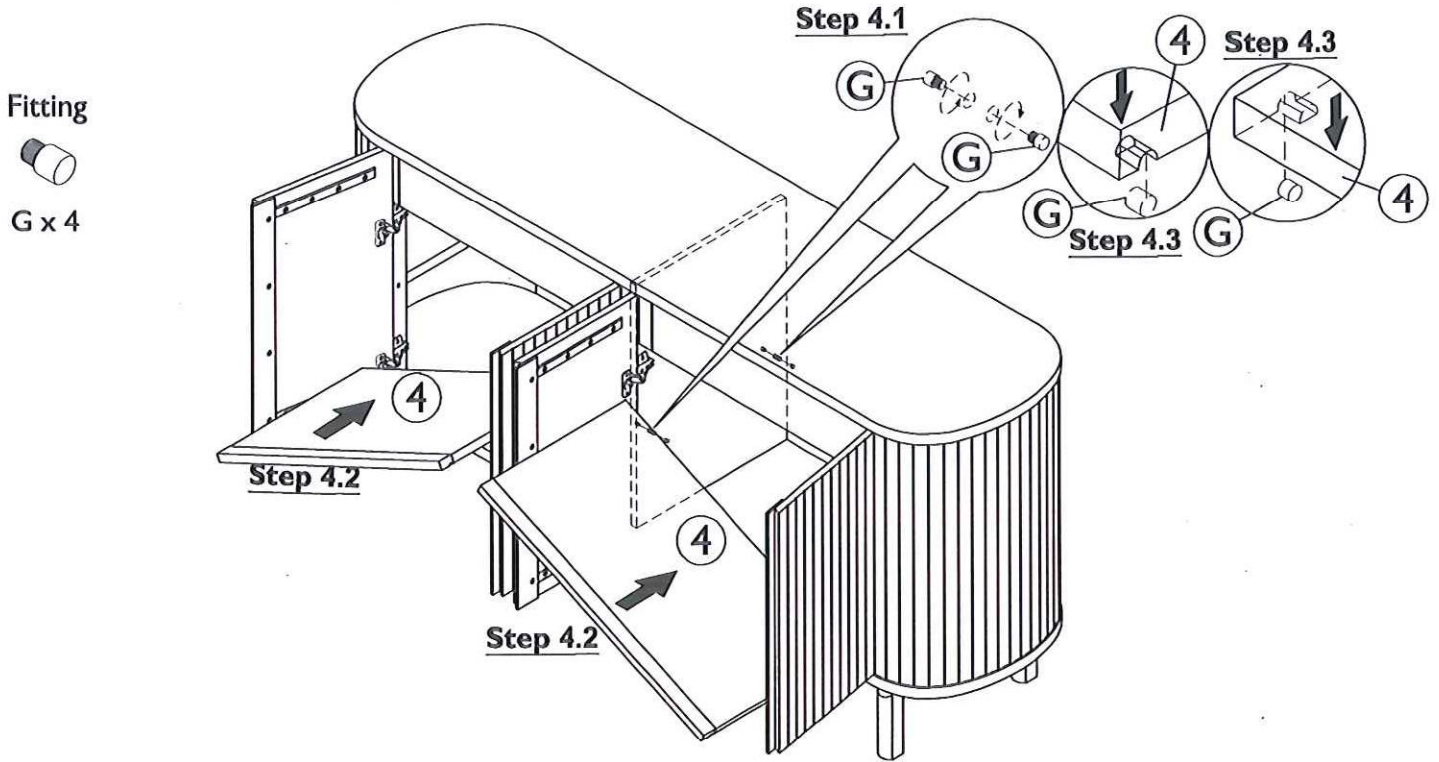


Step 3.3

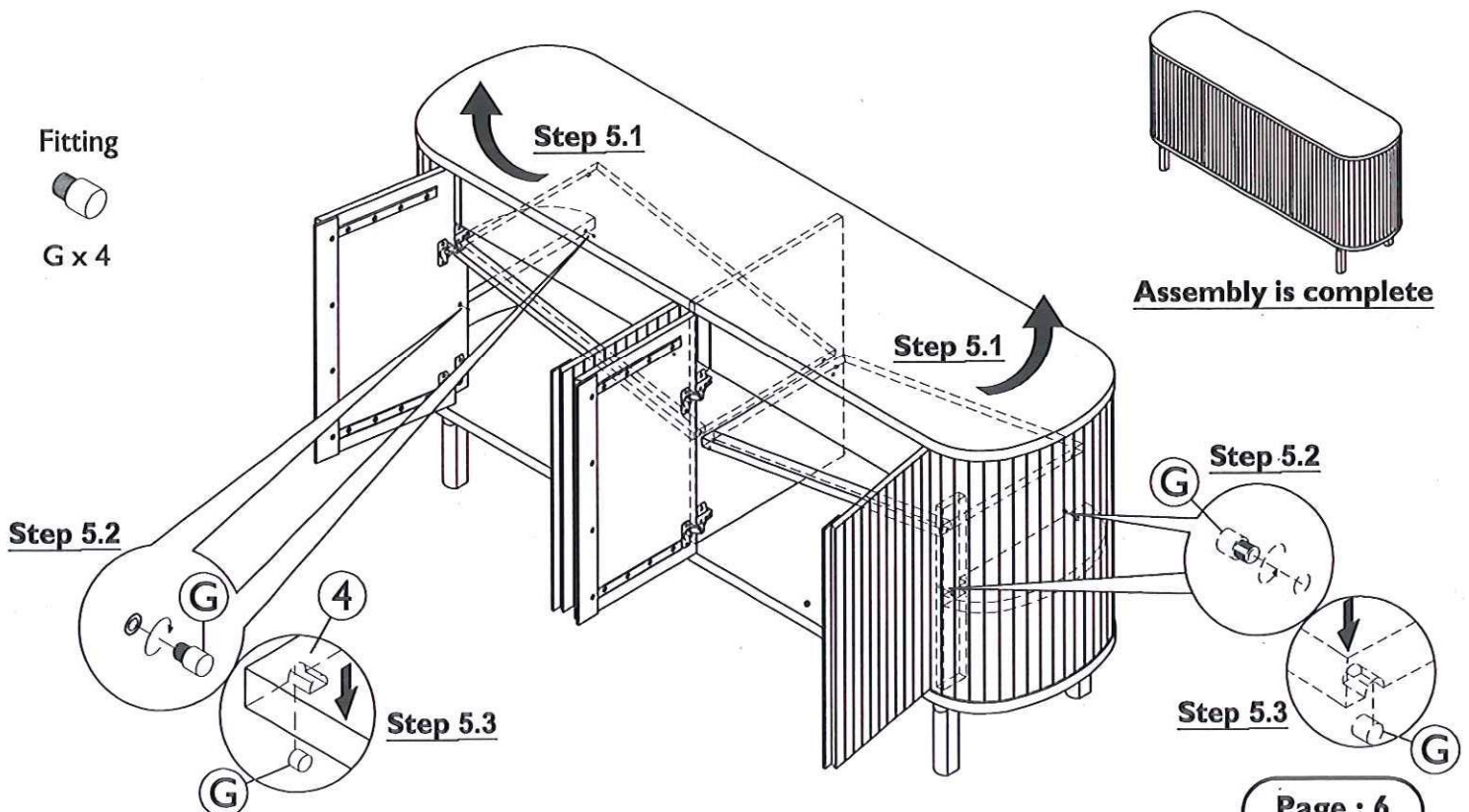
Step 3.2

Step By Step Assembly Instructions

- Step 4**
- 4.1 : Screw 4x shelf pins (G) into the inset fittings in partition of the unit (1) as shown.
 - 4.2 : Tilt adjustable shelf (4) to a suitable angle as shown in the picture so as to slide them in.
 - 4.3 : Slide adjustable shelf (4) into the unit. Ensure the notches on adjustable shelf (4) is facing down, then lower the right side of adjustable shelf (4) onto the pins of shelf pins (G) as shown.



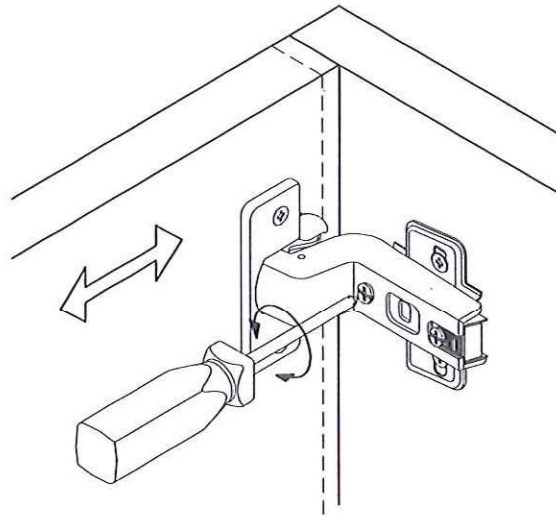
- Step 5**
- 5.1 : Lift up left side of adjustable shelf (4).
 - 5.2 : Screw 4x shelf pins (G) into the inset fittings on left and right panel of the unit as shown.
 - 5.3 : Lower adjustable shelf (4) onto the pins of shelf pins (G) as shown.



HINGE ADJUSTMENT INSTRUCTIONS

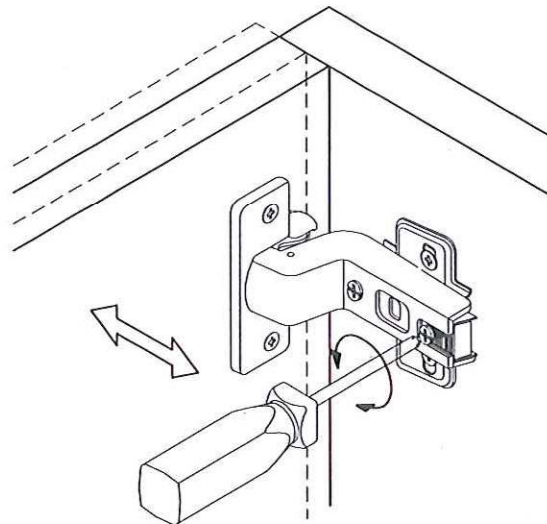
LATERAL ADJUSTMENT

by screw adjustment.



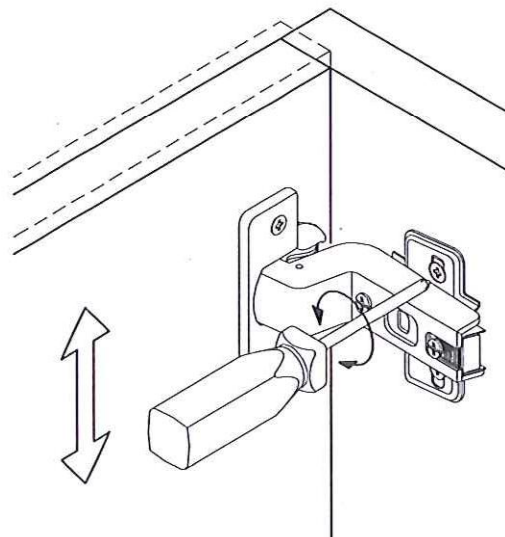
FRONT-TO-BACK

by slackening and retightening the hinge-arm mounting screw.



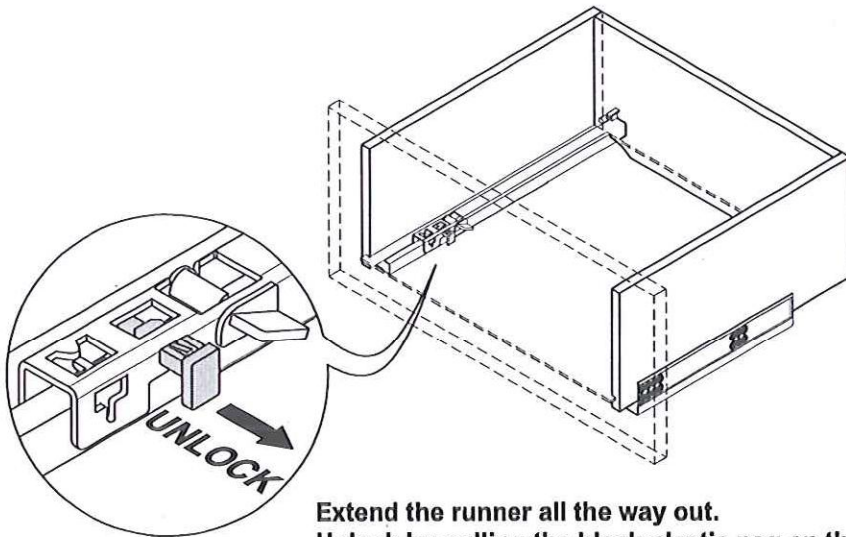
VERTICAL ADJUSTMENT

via slots on mounting plate by slackening and retightening the screws on mounting plate

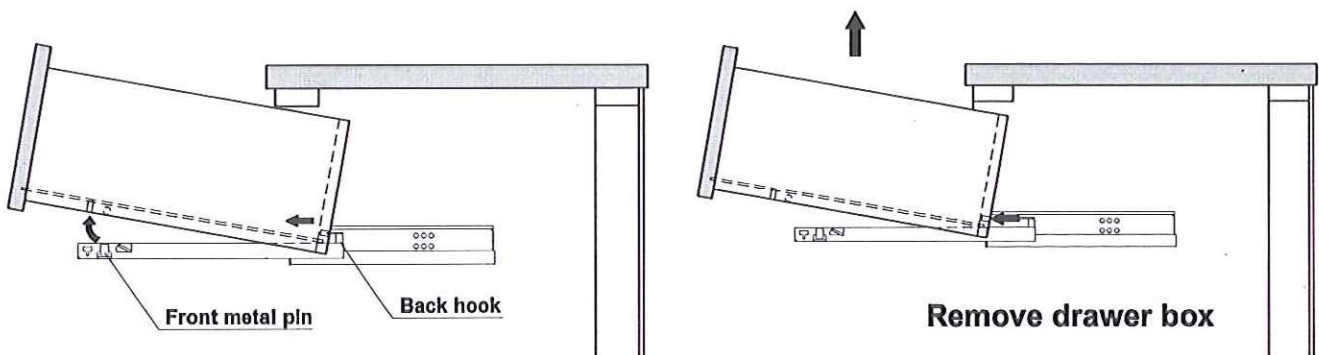


TANDEM RUNNER ADJUSTMENT INSTRUCTION

REMOVE

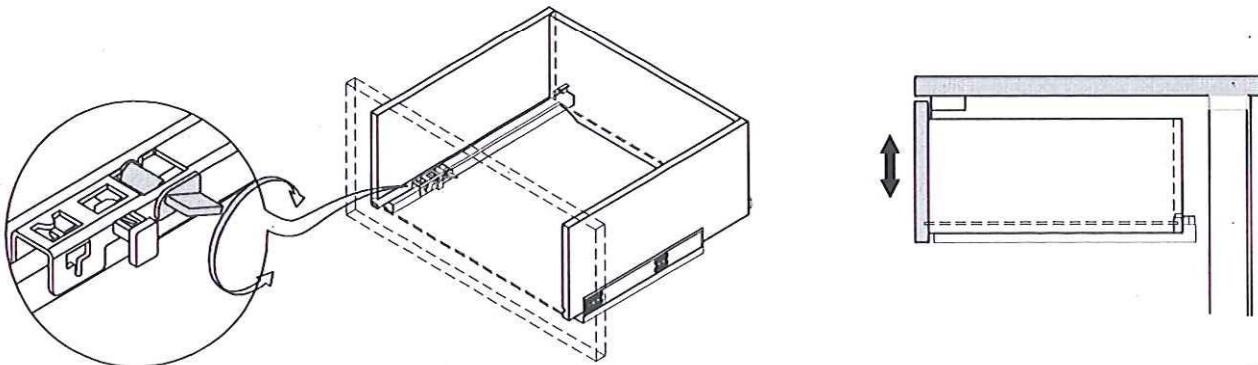


Extend the runner all the way out.
Unlock by pulling the black plastic peg on the runner out.



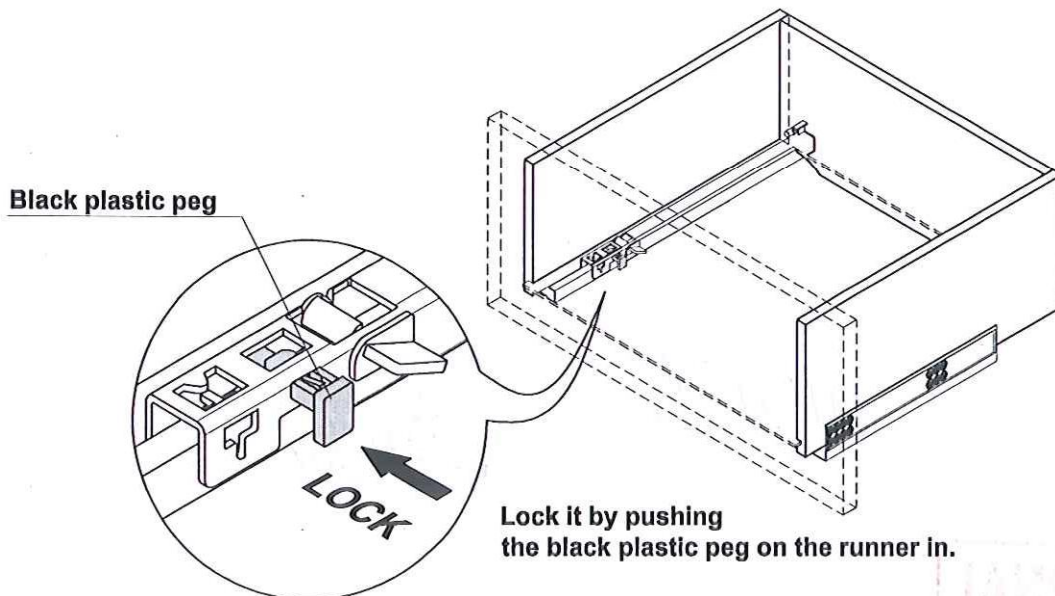
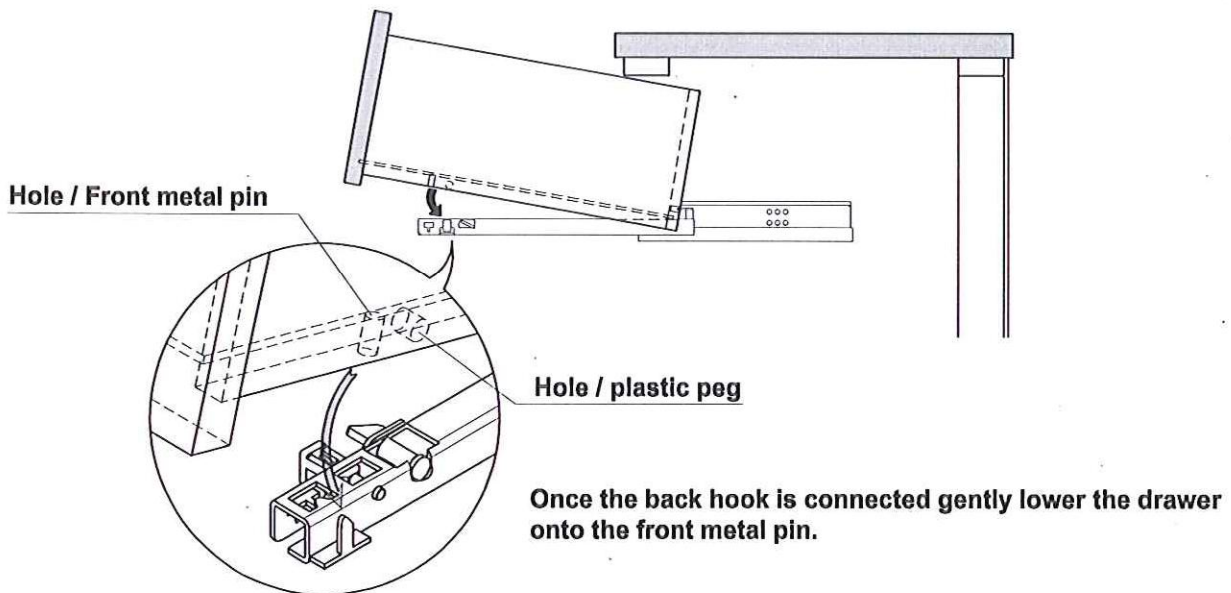
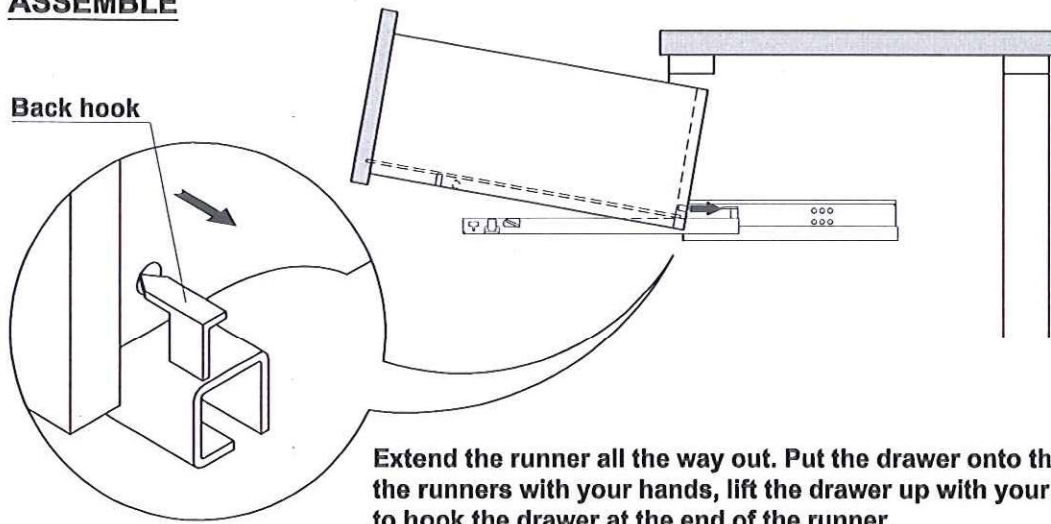
Hold runners with both of your hands.
Carefully lift the drawer front up from the front metal pin, then slide forward to remove from back hooks.


VERTICAL ADJUSTMENT (± 2.5 mm)



TANDEM RUNNER ADJUSTMENT INSTRUCTION

ASSEMBLE




17/09/24


17/09/24


17/09/24

ORIGINAL