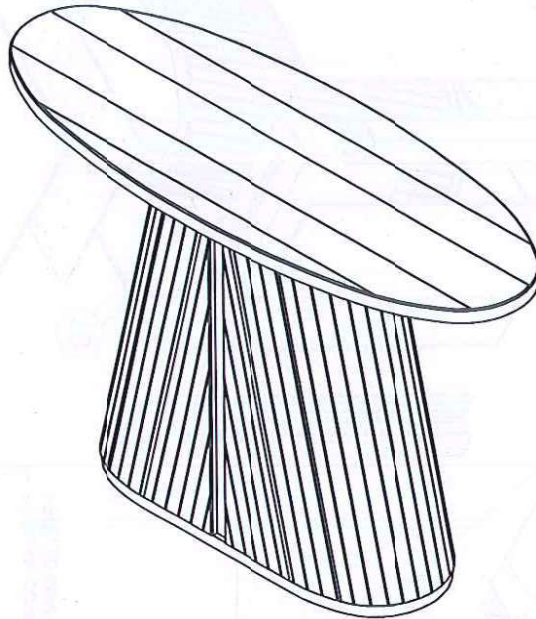


CONSOLE TABLE

Stock number: 304X-19

Thank you for purchasing this product. Please read the instructions carefully before use to ensure safe and satisfactory operation of this product.



Pre-assembly preparation

Please ensure instructions are read in full before attempting to assemble this product.

Necessary Tools :



(Included)



Please check the pack contents before attempting to assemble this product. A full checklist of components is given in this leaflet. If any components are missing, please contact the retailer from whom you bought this product.

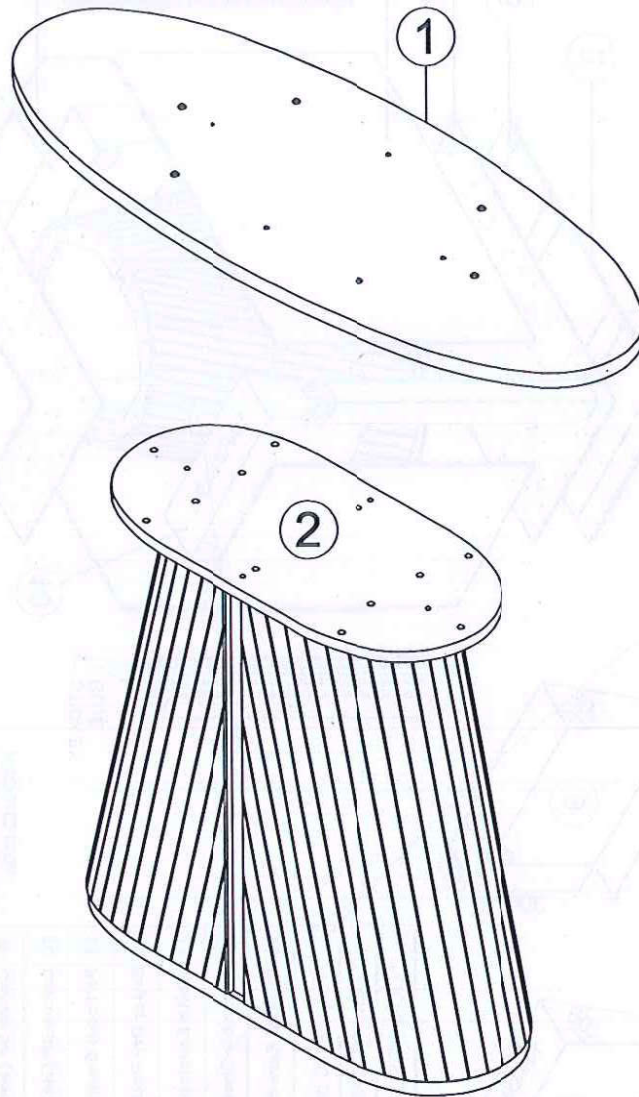
This product takes approximately **15 MINUTES** to assemble with **2 PERSON**.

All assembly should be performed on a flat, stable, clean and soft surface.

This product is **HEAVY**, it should be assembled as near as possible to the point of use. **TAKE CARE WHEN LIFTING** to avoid personal injury and (or) damage to the product.

The fitting pack contains **SMALL ITEMS** which should be **KEPT AWAY FROM YOUNG CHILDREN**.

IMPORTANT: Retain these instructions for future reference.



Fittings and parts checklist

Item	Description	Qty.	Item	Description	Qty.
1	Top panel	x 1	2	Leg frame	x 1
A	Wooden dowel Ø8x30mm	x 4	D	Hex head bolt M8x40mm	x 6
B	Flat washer Ø8.4x17x1.6mm	x 6	E	Allen key M4x30x110mm	x 1
C	Lock washer Ø8.4x2mm	x 6			

Step by step assembly instructions

Step 1

1.1 : Lay all parts on a flat, stable, clean and soft surface.

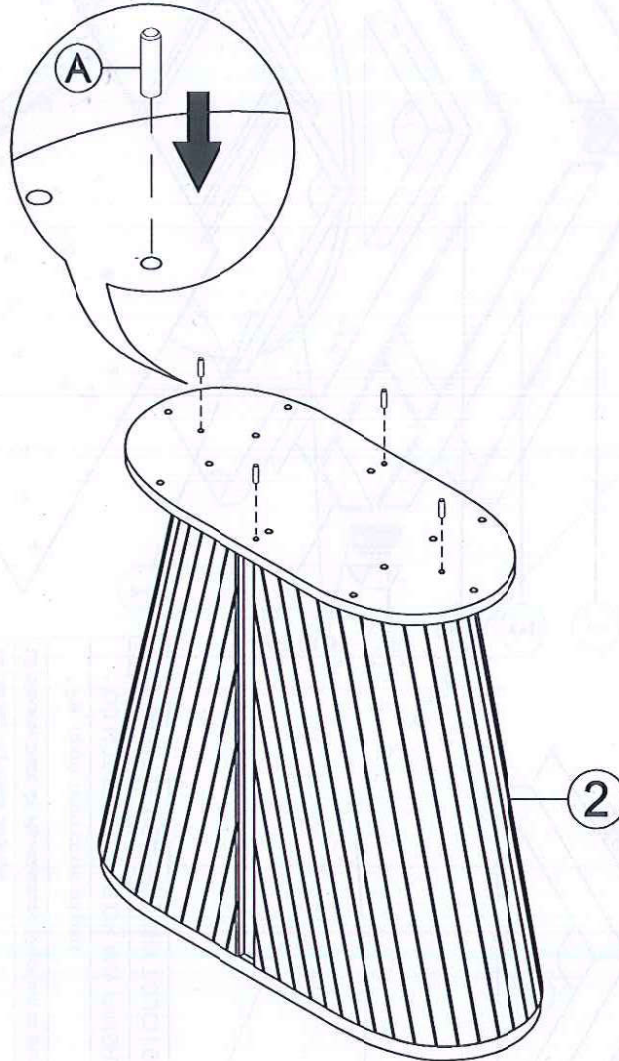
1.2 : Insert 4x wooden dowels (A) into the pre-drilled holes on leg frame (2) as shown.

Fitting



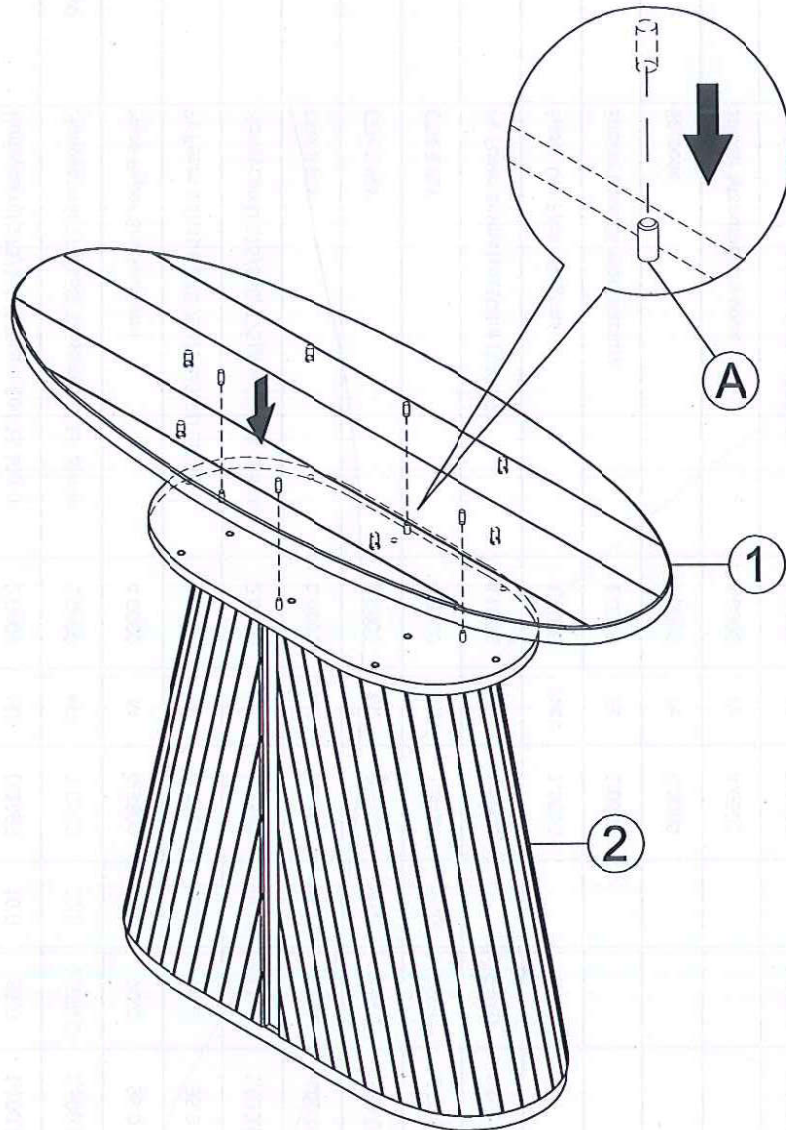
A x 4

Step 1.2



Step by step assembly instructions

- Step 2** Attach top panel (1) onto leg frame (2) as shown. Ensure wooden dowels (A) and the pre-drilled holes on leg frame (2) are aligned correctly to the holes on top panel (1) before attaching.



Step by step assembly instructions

Step 3 Secure leg frame (2) to top panel (1) using 6x hex head bolts (D), 6x lock washers (C) and 6x flat washers (B) as shown. Use allen key (E) to turn fittings (D) clockwise to fix.

Fitting



B x 6



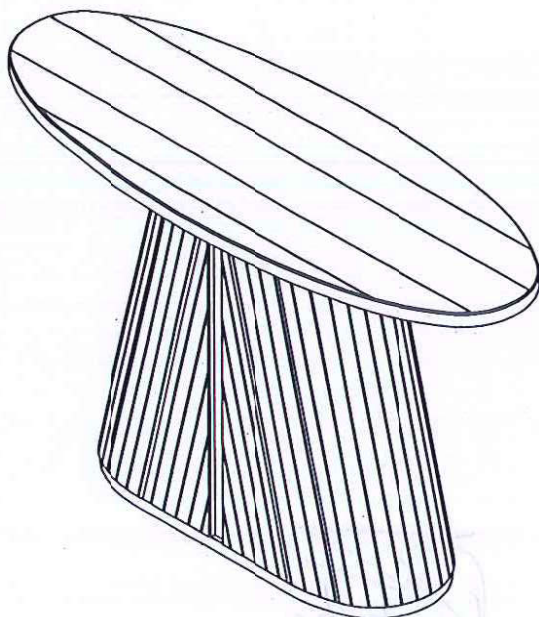
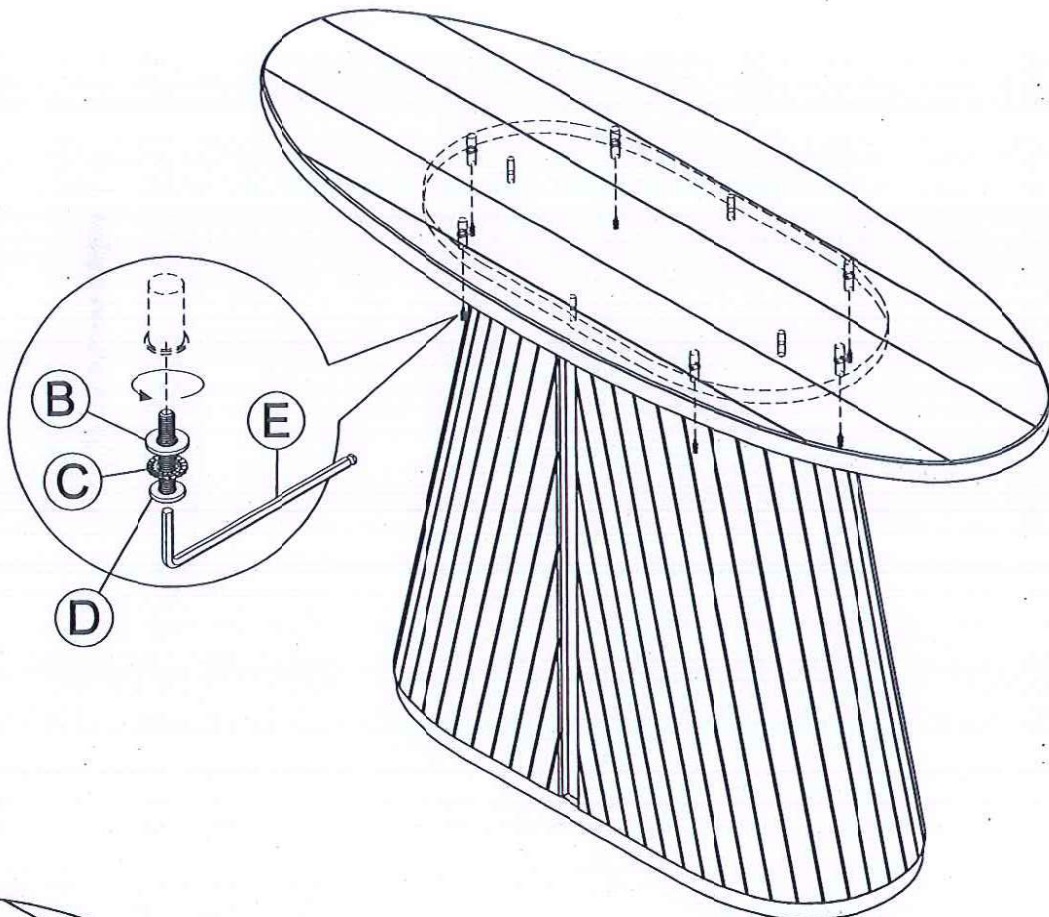
C x 6



D x 6



E x 1



Assembly is complete



Inchup
18.09.24

Ab
18/09/24

Ab
18/09/24