

2 DRAWER NIGHTSTAND

Stock number: 2807-72

Thank you for purchasing this product. Please read the instructions carefully before use to ensure safe and satisfactory operation of this product.



Pre-assembly preparation

Please ensure instructions are read in full before attempting to assemble this product.

Necessary Tools : Phillips screwdriver



Ph 2



Please check the pack contents before attempting to assemble this product. A full checklist of components is given in this leaflet. If any components are missing, please contact the retailer from whom you bought this product.

This product takes approximately **10 MINUTES** to assemble with **1 PERSON**.

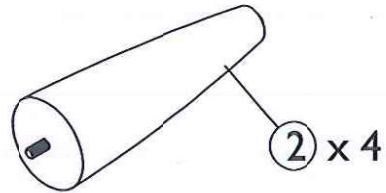
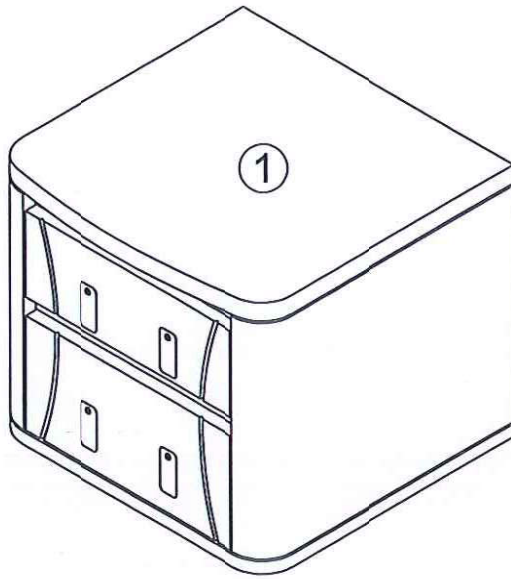
All assembly should be performed on a flat, stable, clean and soft surface.

This product is **HEAVY**, it should be assembled as near as possible to the point of use. **TAKE CARE WHEN LIFTING** to avoid personal injury and (or) damage to the product.

The fitting pack contains **SMALL ITEMS** which should be **KEPT AWAY FROM YOUNG CHILDREN**.

IMPORTANT: Retain these instructions for future reference.

Page : 1



Fittings and parts checklist

Item	Description	Qty.	Item	Description	Qty.
1	Top unit	x 1	2	Leg	x 4

Step by step assembly instructions

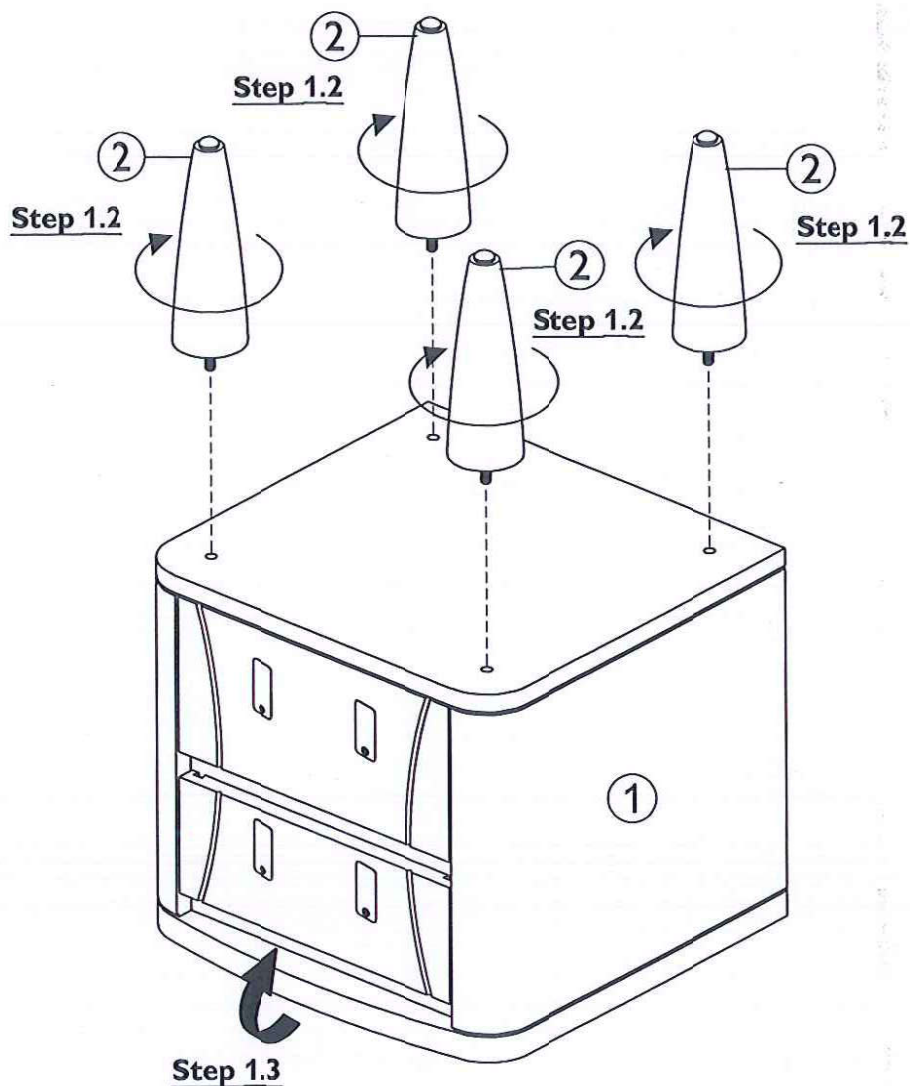
Step 1

1.1 : Lay all parts on a flat, stable, clean and soft surface.

1.2 : Screw each leg (2) into the fitting that is concealed in the pre-drilled hole on top unit (1) as shown. Continue to re-tighten until it is securely fastened.

Repeat above procedure for the remaining legs (2).

1.3 : Stand the unit upright.

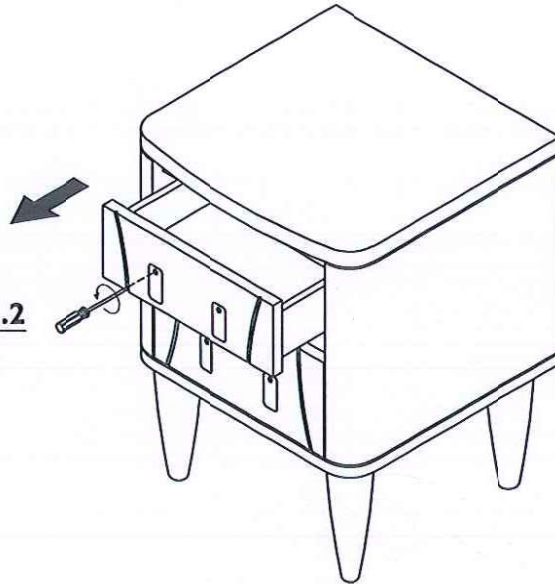


Step by step assembly instructions

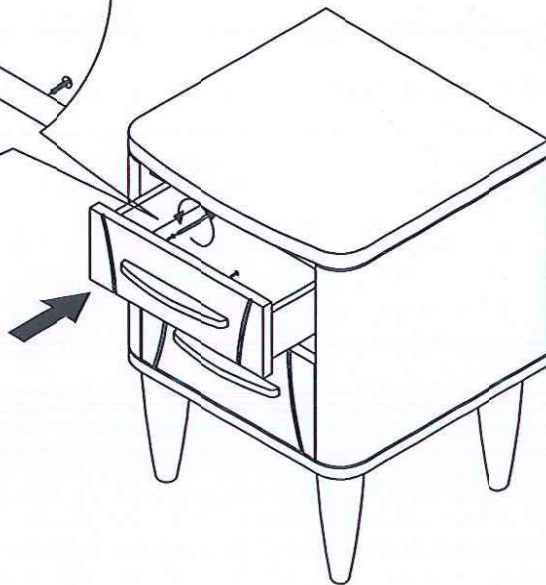
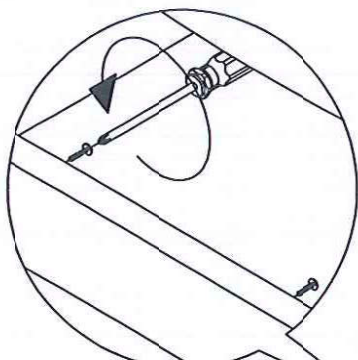
Step 2

- 2.1 : Pull out the drawer as shown.
- 2.2 : Remove the handle from drawer front by using a screwdriver to turn round head bolts counterclockwise as shown.
- 2.3 : Attach a handle to drawer front using round head bolts as shown. Use a screwdriver to turn fittings clockwise to fix.

Step 2.1 & 2.2



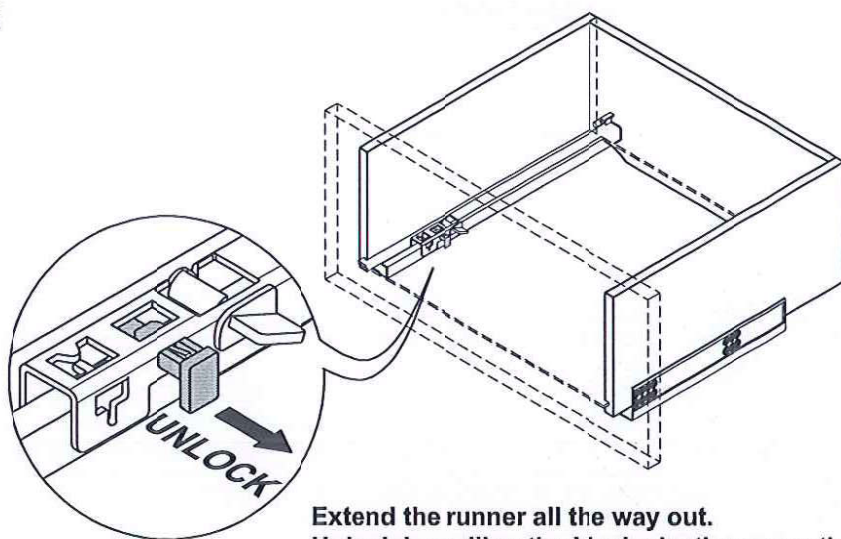
Step 2.3



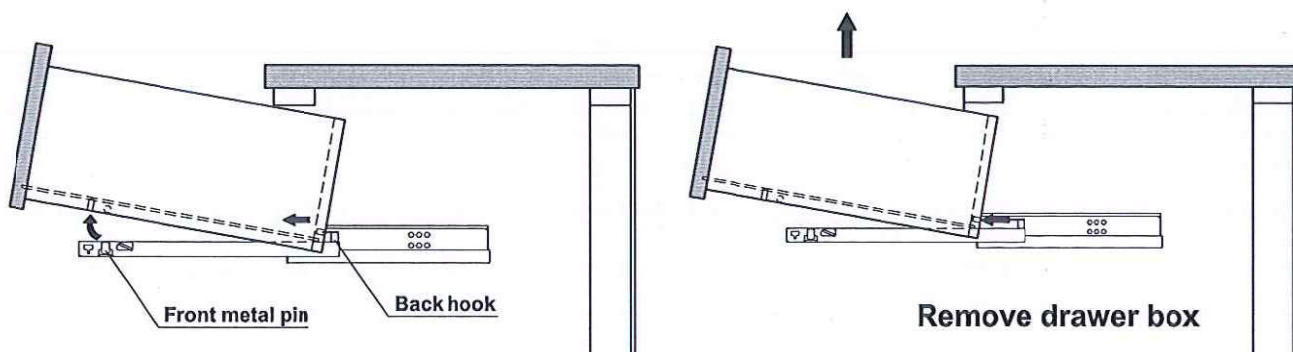
Assembly is complete

TANDEM RUNNER ADJUSTMENT INSTRUCTION

REMOVE

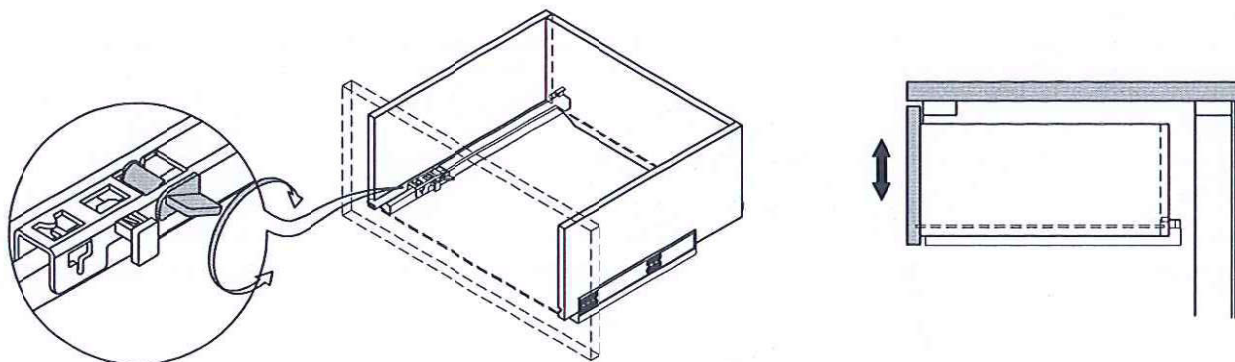


Extend the runner all the way out.
Unlock by pulling the black plastic peg on the runner out.



Hold runners with both of your hands.
Carefully lift the drawer front up from the front metal pin, then slide forward to remove from back hooks.

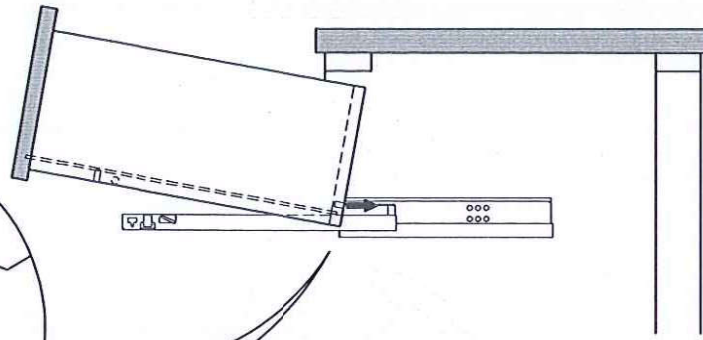
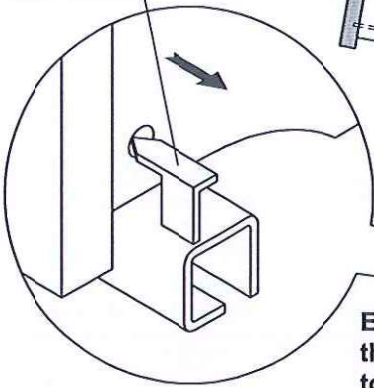
VERTICAL ADJUSTMENT (± 2.5 mm)



TANDEM RUNNER ADJUSTMENT INSTRUCTION

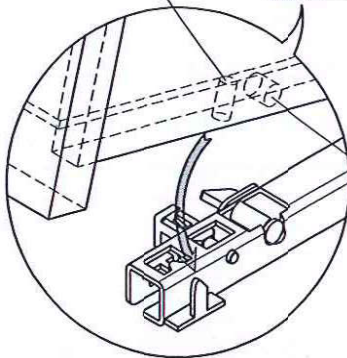
ASSEMBLE

Back hook

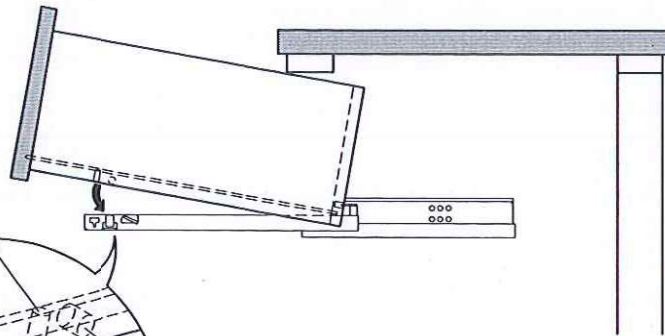


Extend the runner all the way out. Put the drawer onto them then hold both the runners with your hands, lift the drawer up with your thumbs and push to hook the drawer at the end of the runner.

Hole / Front metal pin

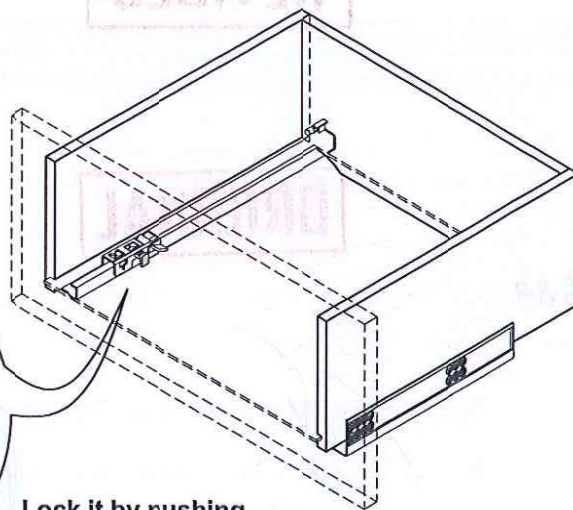
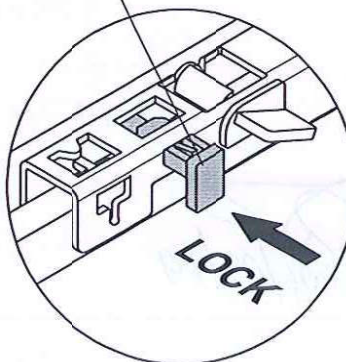


Hole / plastic peg



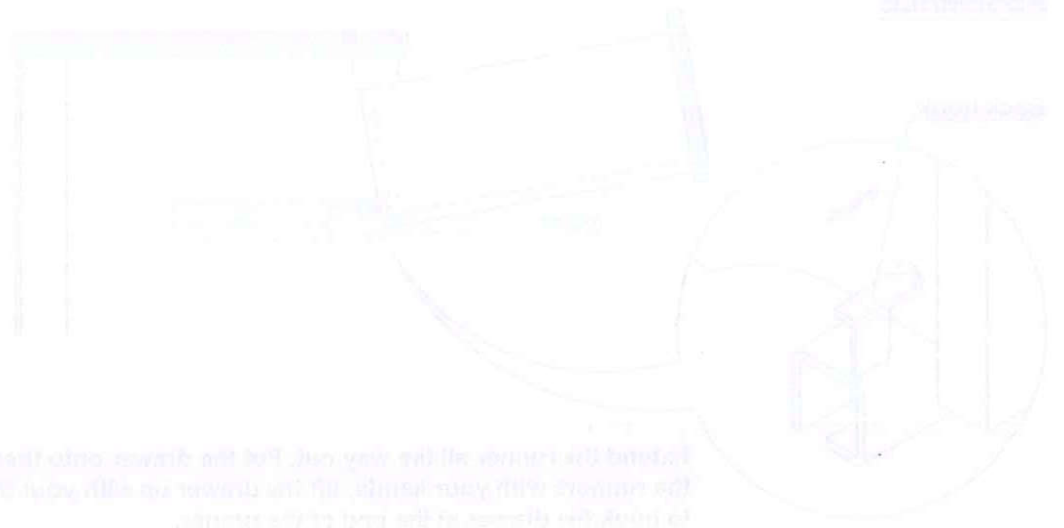
Once the back hook is connected gently lower the drawer onto the front metal pin.

Black plastic peg



Lock it by pushing the black plastic peg on the runner in.

REVISIONS



Remove the battery from the adapter. For the battery, only the top half of the battery is used. The bottom half of the battery is not used. The battery is used in the adapter. The battery is used in the adapter.



Remove the battery from the adapter. For the battery, only the top half of the battery is used. The bottom half of the battery is not used. The battery is used in the adapter. The battery is used in the adapter.

REVISED

ORIGINAL

ECR # 45684

[Signature]
06/09/24

[Signature]
06/09/24

[Signature]
06/09/24