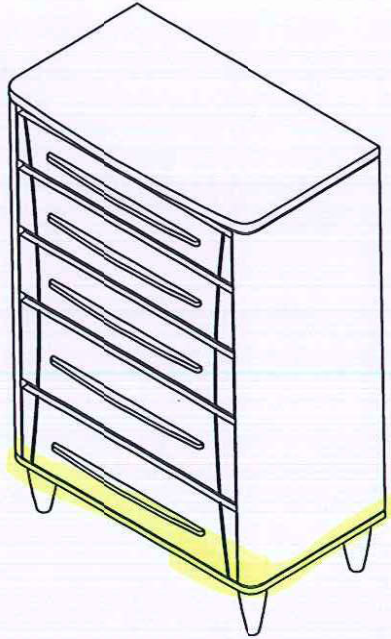


# 5 DRAWER TALL CHEST

Stock number: 2807-75

Thank you for purchasing this product. Please read the instructions carefully before use to ensure safe and satisfactory operation of this product.



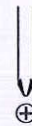
## Pre-assembly preparation

Please ensure instructions are read in full before attempting to assemble this product.

**Necessary Tools** : Phillips screwdriver



Ph 2



Please check the pack contents before attempting to assemble this product. A full checklist of components is given in this leaflet. If any components are missing, please contact the retailer from whom you bought this product.

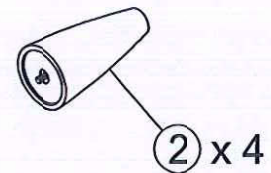
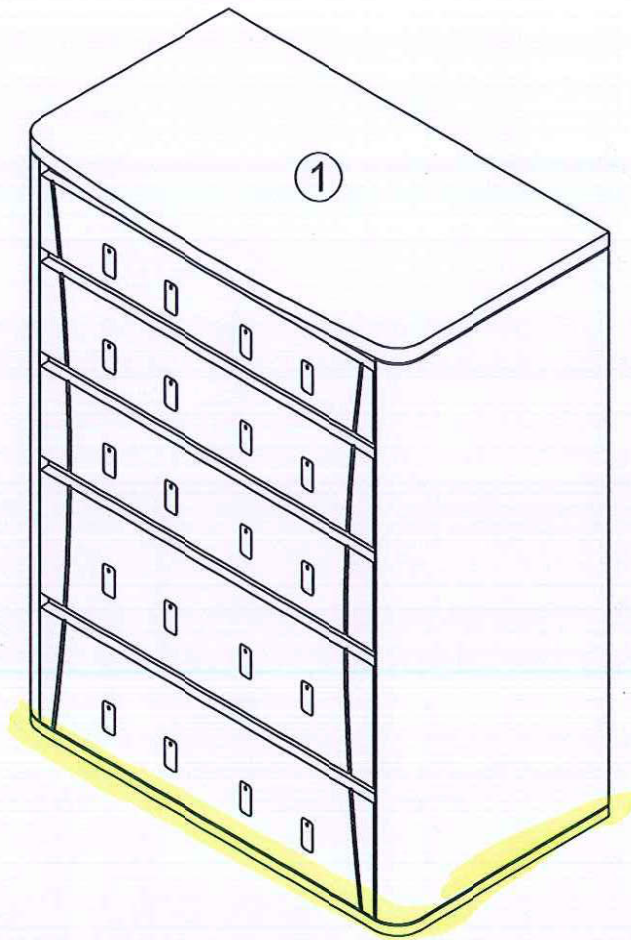
This product takes approximately **15 MINUTES** to assemble with **2 PERSON**.

All assembly should be performed on a flat, stable, clean and soft surface.

This product is **HEAVY**, it should be assembled as near as possible to the point of use. **TAKE CARE WHEN LIFTING** to avoid personal injury and (or) damage to the product.

The fitting pack contains **SMALL ITEMS** which should be **KEPT AWAY FROM YOUNG CHILDREN**.

**IMPORTANT:** Retain these instructions for future reference.



## Fittings and parts checklist

Item	Description	Qty.	Item	Description	Qty.
1	Cabinet	x 1	2	Leg	x 4

# Step by step assembly instructions

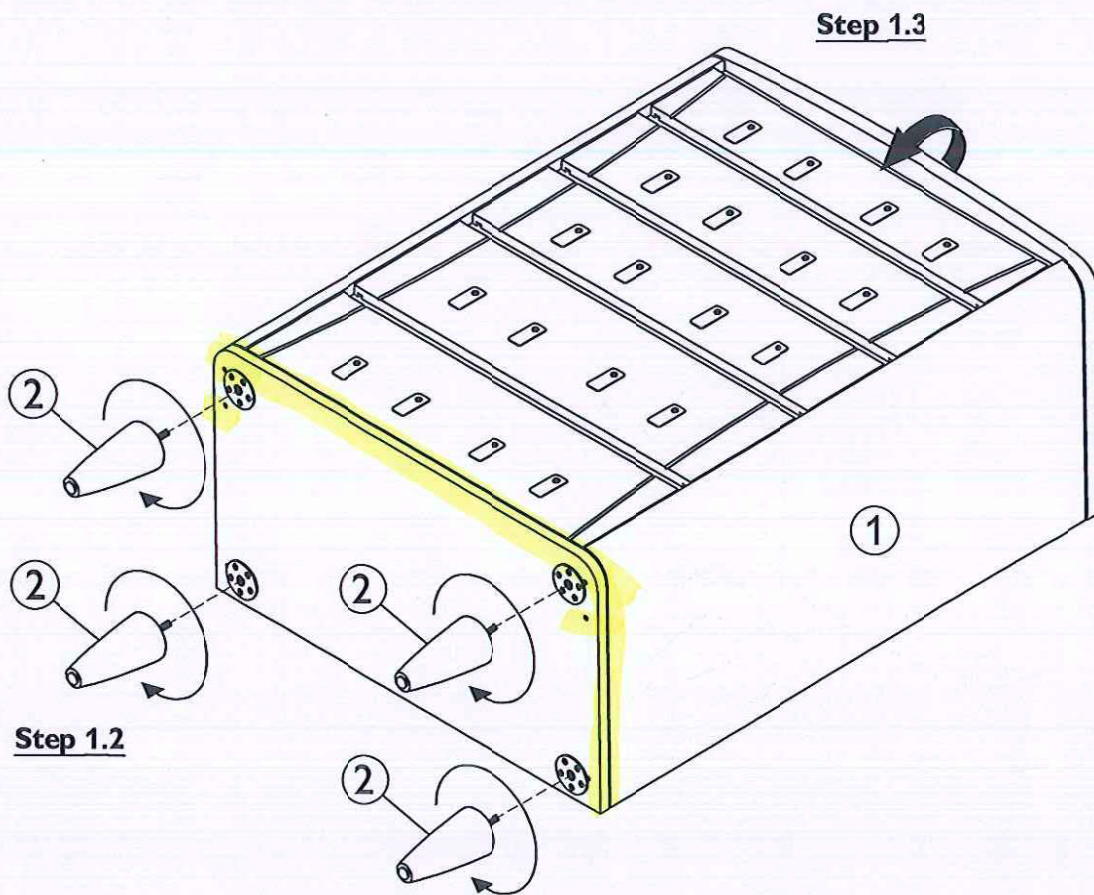
## Step 1

1.1 : Lay cabinet (1) on a flat, stable, clean and soft surface.

1.2 : Screw each leg (2) into the mounting plate on the bottom of cabinet (1) as shown. Continue to re-tighten until it is securely fastened.

**Repeat above procedure for the remaining legs (2).**

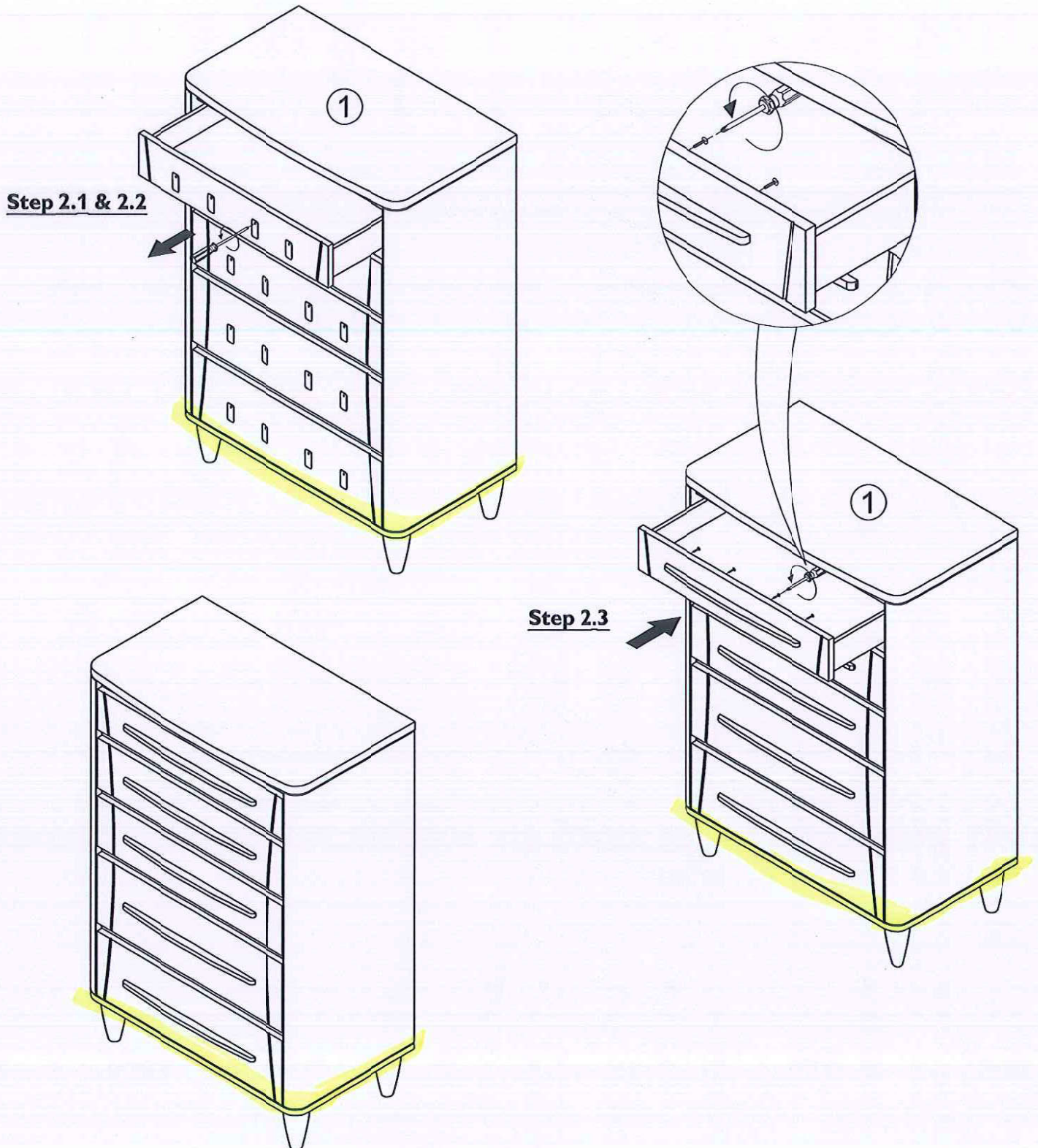
1.3 : Stand the cabinet upright.



# Step by step assembly instructions

## Step 2

- 2.1 : Pull out the drawer as shown.
- 2.2 : Remove the handles from drawer fronts by using a screwdriver to turn round head bolts counterclockwise as shown.
- 2.3 : Attach a handles to drawer fronts using round head bolts as shown. Use a screwdriver to turn fittings clockwise to fix.



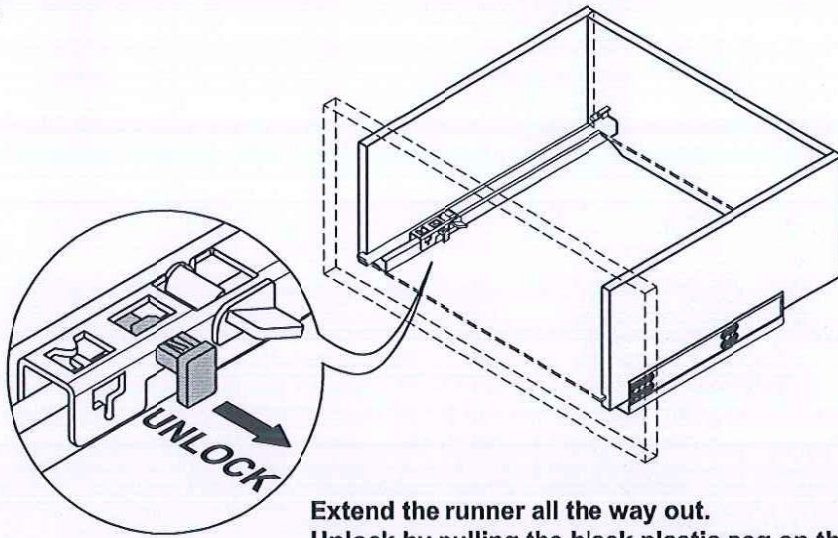
**Assembly is complete**

---

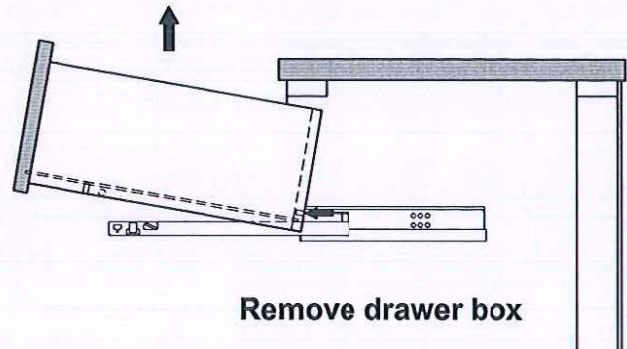
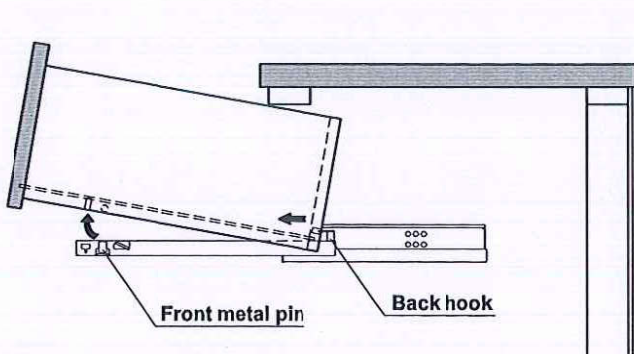
# TANDEM RUNNER ADJUSTMENT INSTRUCTION

---

## REMOVE



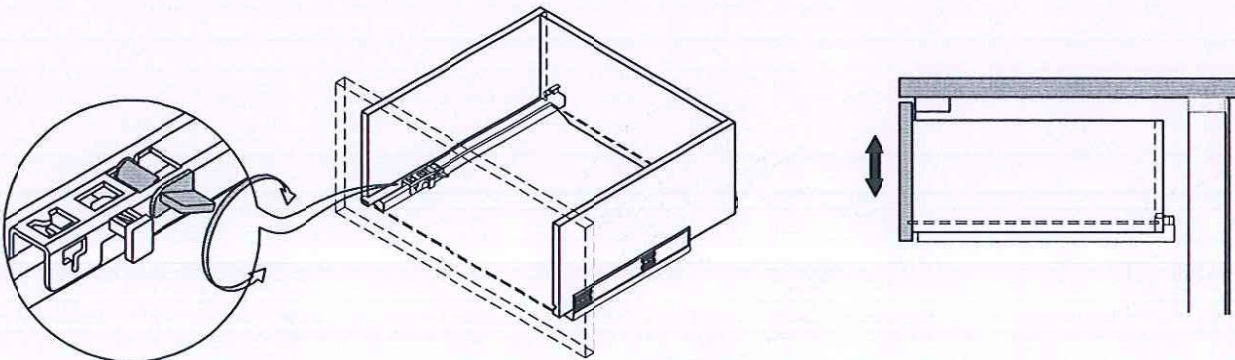
Extend the runner all the way out.  
Unlock by pulling the black plastic peg on the runner out.



Hold runners with both of your hands.  
Carefully lift the drawer front up from the front metal pin, then slide forward to remove from back hooks.

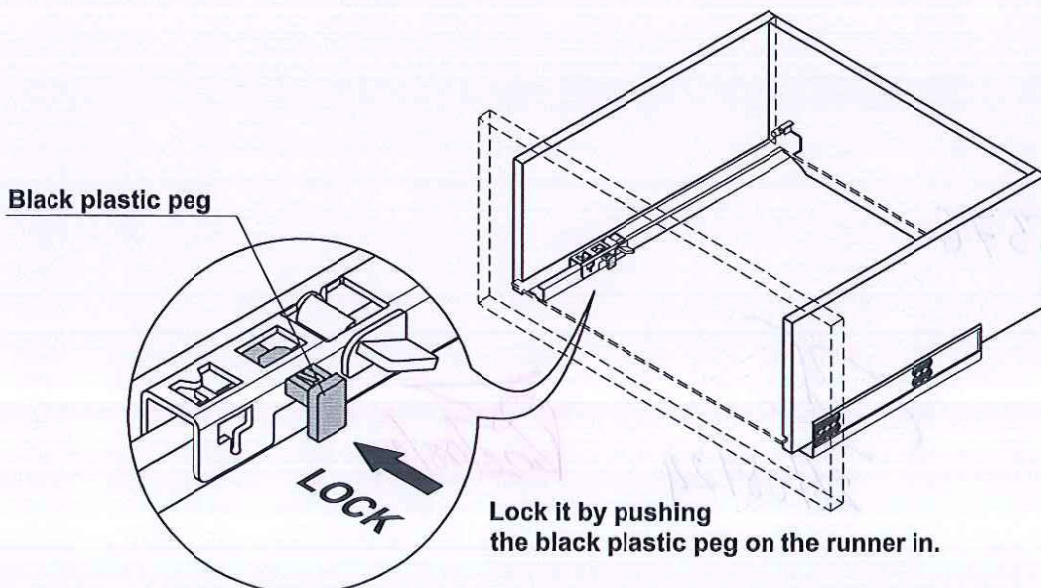
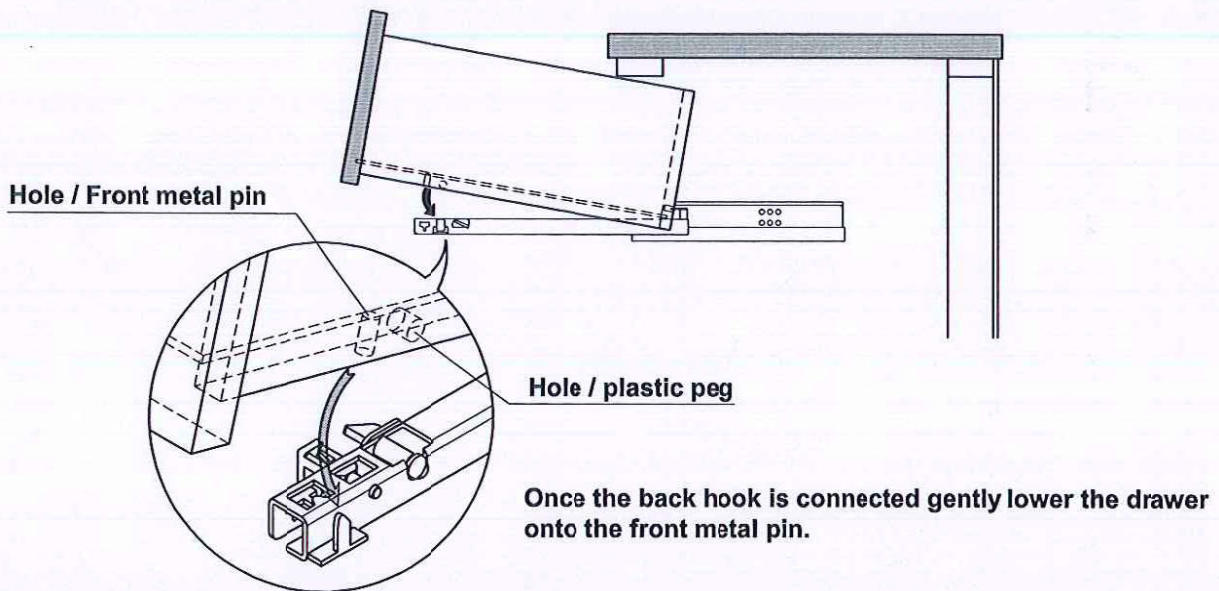
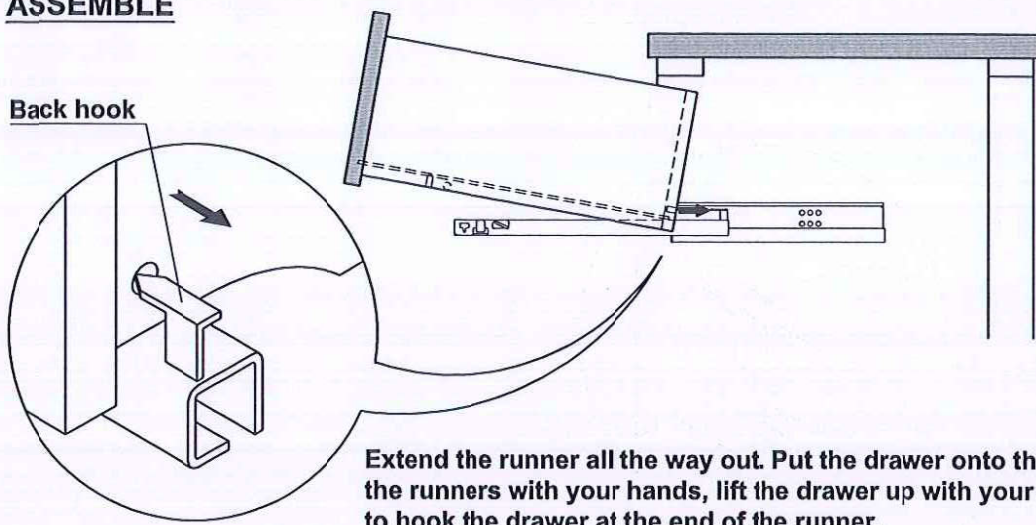
---

## VERTICAL ADJUSTMENT ( $\pm 2.5$ mm)



# TANDEM RUNNER ADJUSTMENT INSTRUCTION

## ASSEMBLE

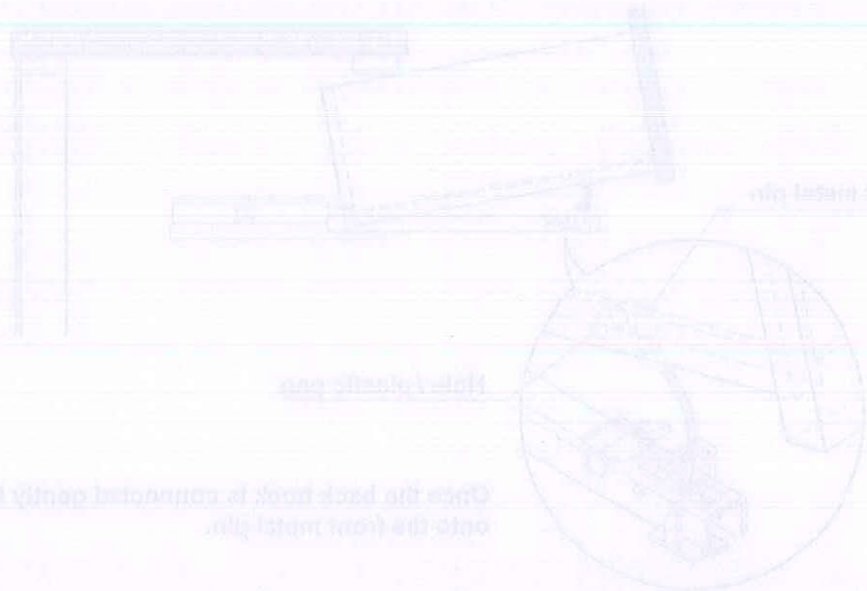


TANDEM RUNNER ADJUSTMENT INSTRUCTION

ASSEMBLE

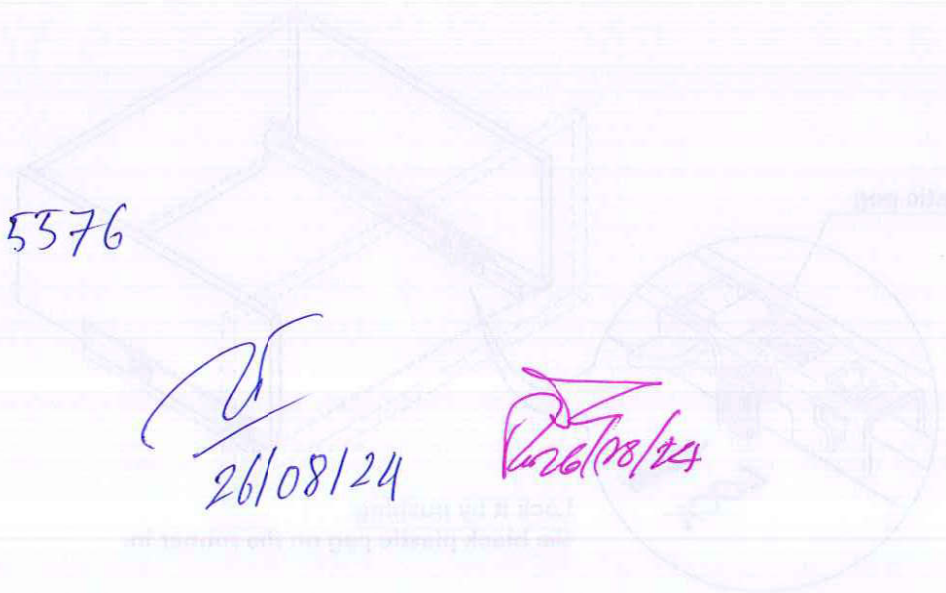


Hook / Front metal clip



Hook / Back clip

Place plastic feet



ECR # 45576

*Am*  
26.08.24

*[Signature]*  
26/08/24

*[Signature]*  
26/08/24