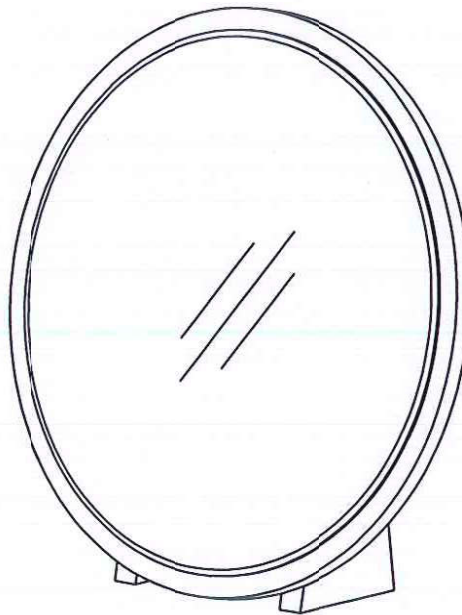


VANITY MIRROR

Stock number: 2807-17

Thank you for purchasing this product. Please read the instructions carefully before use to ensure safe and satisfactory operation of this product.



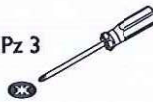
Pre-assembly preparation

Please ensure instructions are read in full before attempting to assemble this product.

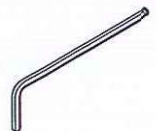
Necessary Tools : Pozi screwdriver



Pz 2 or Pz 3



(Included)



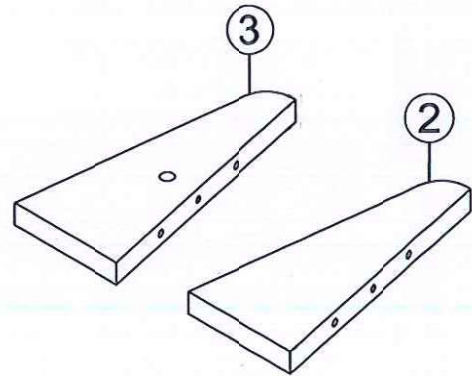
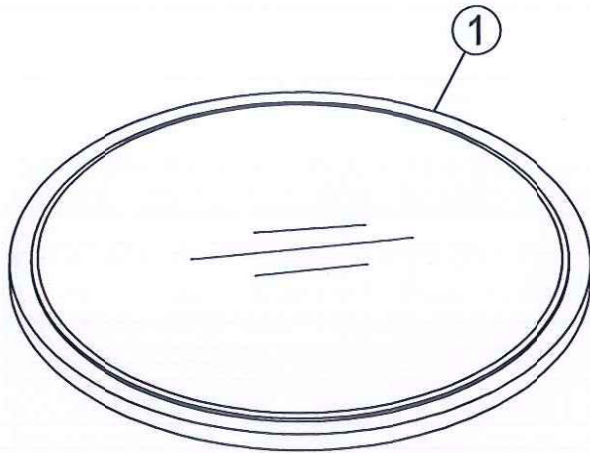
Please check the pack contents before attempting to assemble this product. A full checklist of components is given in this leaflet. If any components are missing, please contact the retailer from whom you bought this product.

This product takes approximately **15 MINUTES** to assemble with **1 PERSON**.

All assembly should be performed on a flat, stable, clean and soft surface.

The fitting pack contains **SMALL ITEMS** which should be **KEPT AWAY FROM YOUNG CHILDREN**.

IMPORTANT: Retain these instructions for future reference.

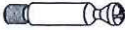


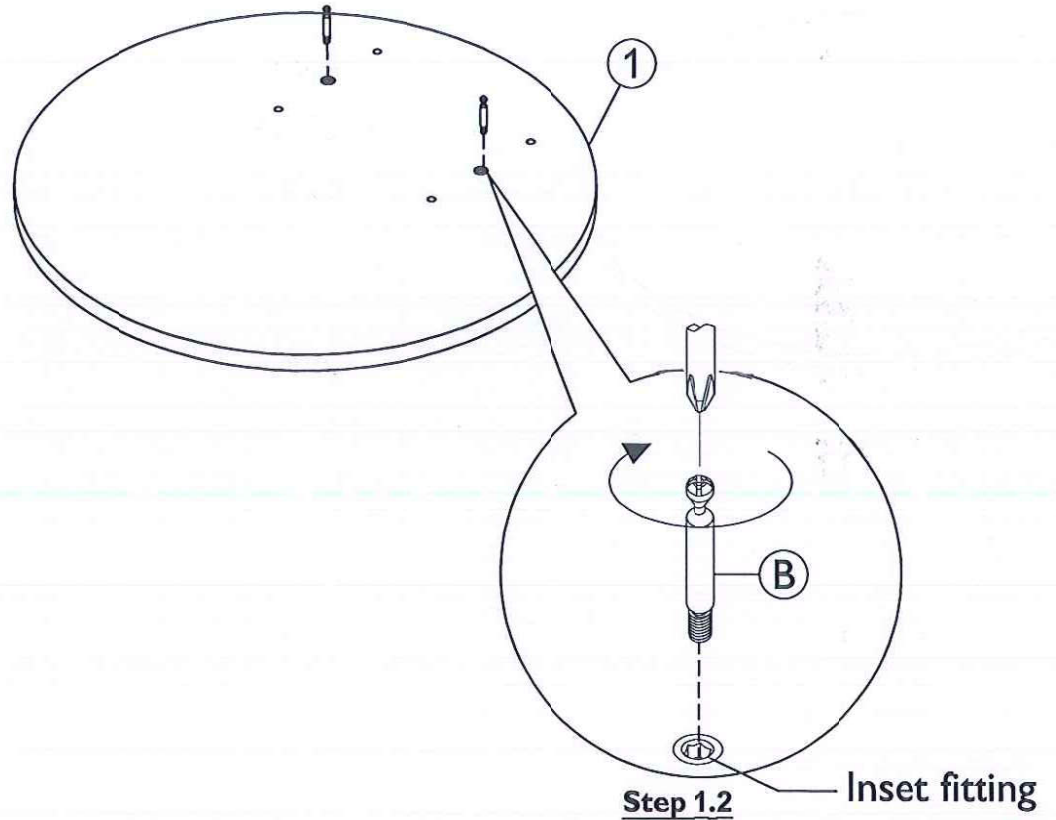
Fittings and parts checklist

Item	Description	Qty.	Item	Description	Qty.
1	Mirror frame	x 1	2	Post left	x 1
3	Post right	x 1			
A	Wooden dowel Ø8x30mm	x 4	C	Allen key M4x30x110	x 1
B	Steel dowel Ø7x52mm	x 2	D	Grub screw M8 x 8mm	x 2

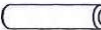
Step By Step Assembly Instructions

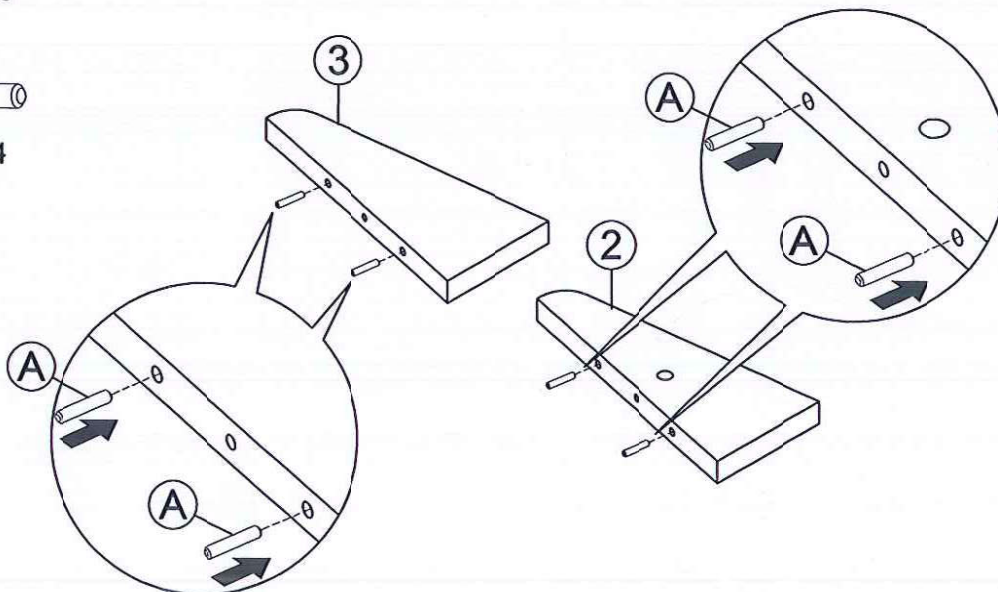
- Step 1**
- 1.1 : Lay all parts onto a flat, stable, clean and soft surface
- 1.2 : Attach 2x steel dowels (B) into mirror frame (1) by screwing fittings (B) into the inset fitting that are located on part (1) as shown. Use a pozi screwdriver to turn fittings (B) clockwise to fix.

Fitting

B x 2



- Step 2** Attach 4x wooden dowels (A) into the pre-drilled holes on parts (2) & (3) as shown.

Fitting

A x 4



Step By Step Assembly Instructions

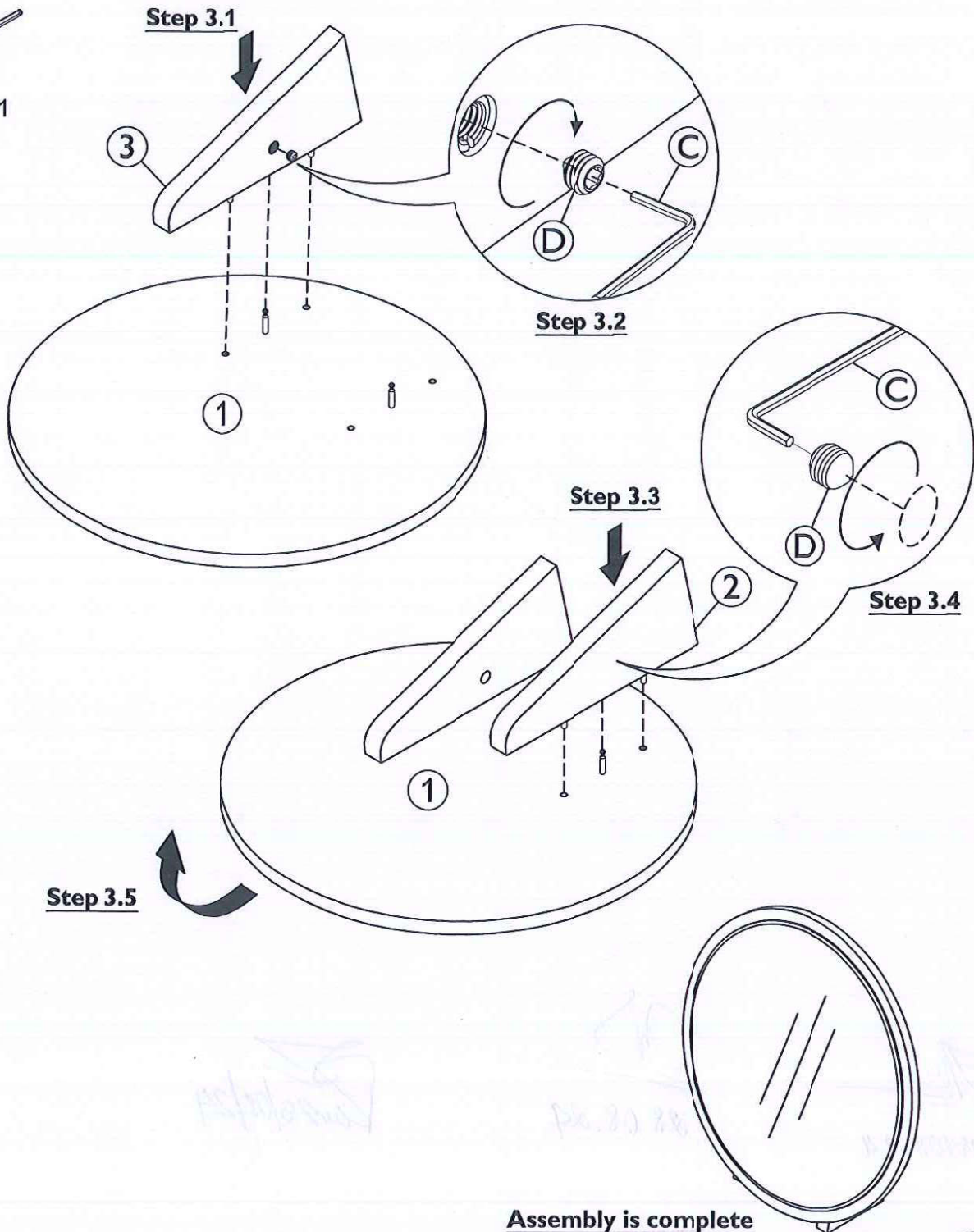
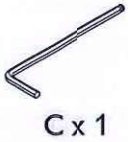
Step 3

- 3.1 : Attach post left (3) onto mirror frame (1) as shown. Ensure steel dowels (B) and wooden dowels (A) are aligned correctly with the holes of mating parts before attaching.
- 3.2 : Secure part (3) to part (1) using 1x grub screw (D) as shown. Use allen key (C) to turn fitting (D) clockwise to fix.
- 3.3 : Attach post right (2) onto mirror frame (1) as shown. Ensure steel dowels (B) and wooden dowels (A) are aligned correctly with the holes of mating parts before attaching.
- 3.4 : Secure part (2) to part (1) using 1x grub screw (D) as shown. Use allen key (C) to turn fitting (D) clockwise to fix.
- 3.5 : Stand the unit upright

Fitting



D x 2



Assembly is complete

Step by Step Assembly Instructions

- 1.1: Place the top cap (1) on the motor (2) in the way that the hole (3) and the hole (4) are aligned correctly with the hole of motor base (5) and the hole (6) of the motor base (7) to get the motor (8) to be in the right position.
- 1.2: Place the top cap (1) on the motor (2) in the way that the hole (3) and the hole (4) are aligned correctly with the hole of motor base (5) and the hole (6) of the motor base (7) to get the motor (8) to be in the right position.
- 1.3: Place the top cap (1) on the motor (2) in the way that the hole (3) and the hole (4) are aligned correctly with the hole of motor base (5) and the hole (6) of the motor base (7) to get the motor (8) to be in the right position.



[Signature]
28/08/24

[Signature]
28.08.24

[Signature]
28/08/24

ORIGINAL